

毅永企業有限公司 E-YUNG ENTERPRISE CO., LTD.

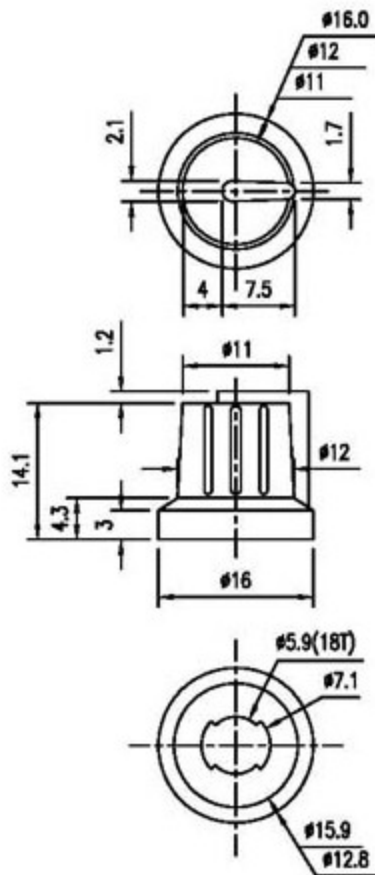
HOUSING: BLACK COLOR

MARKING: WHITE COLOR

Ex. 9167-BW, 9167-BR, 9167-BY, 9167-BG



9167-BW



UNLESS OTHERWISE SPECIFIED
GENERAL TOLERANCES

0.5~6 = ± 0.2

>6~30 = ± 0.4

>30~120 = ± 0.6

				RUBBER					
NO.	DESCRIPTION	QTY	MATERIAL	SPECIFICATION			REMARK		
DRAW BY	CHUN	030310	SCALE	1 : 1.5	PROJ		ITEM NO.	9167	
DEGN BY	YANG		UNIT	MM			TITLE	KNOB	
APPD BY	RAY						DWG NO.	9167-TPS75-A1	
DATE	DRAWG BY	REVISED							