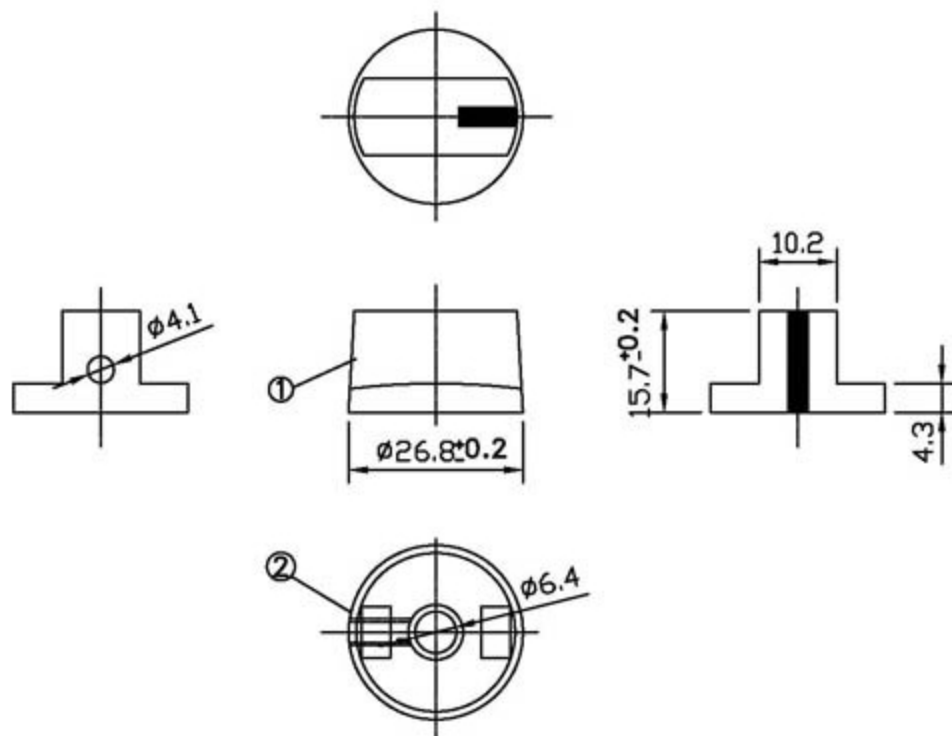


毅永企業有限公司 E-YUNG ENTERPRISE CO., LTD.



UNLESS OTHERWISE SPECIFIED
GENERAL TOLERANCES

0.5~6 = ±0.2
>6~30 = ±0.4
>30~120 = ±0.6

NO.	DESCRIPTION	QTY	MATERIAL	SPECIFICATION	REMARK
2	SCREW	1	BRASS		
1	BODY	1	BAKELITE		
DRAW BY	周佩君	081508	SCALE	1 : 1	
DEGN BY	YANG		UNIT	MM	
APPD BY	RAY				
				PROJ	
					ITEM NO. 9157
					TITLE 旋鈕
					DRAWING NO. 9157-TNS09-A

DATE DRAWG BY REVISED