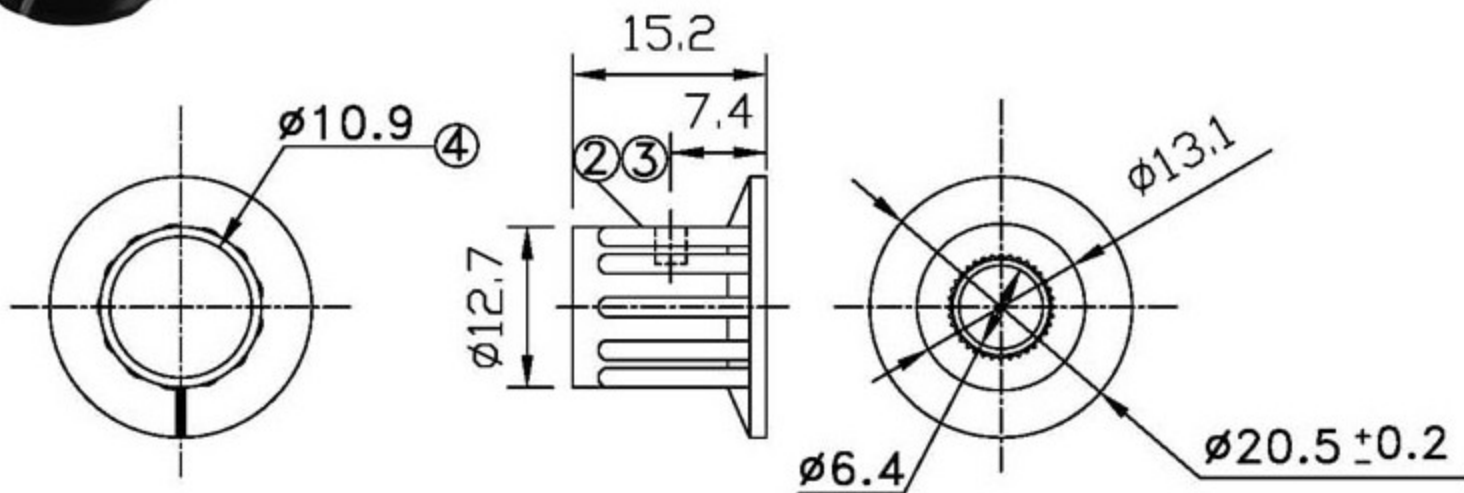




1. 9156
2. 9156-18T
(WITHOUT BRASS)



UNLESS OTHERWISE SPECIFIED
GENERAL TOLERANCES

0.5~6 = ± 0.2
 >6~30 = ± 0.4
 >30~120 = ± 0.6

| 4 | PLATE | 1 | AL | | | | | |
|---------|-------------|--------|----------|---------------|--------|--|----------|---------------|
| 3 | SCREW | 1 | BRASS | | | | | |
| 2 | INSERT | 1 | BRASS | | | | | |
| 1 | BODY | 1 | BAKELITE | | | | | |
| NO. | DESCRIPTION | QTY | MATERIAL | SPECIFICATION | REMARK | | | |
| DRAW BY | CHUN | 101309 | SCALE | 1 : 2 | PROJ | | ITEM NO. | 9156 |
| DEGN BY | YANG | | UNIT | MM | | | TITLE | KNOB |
| APPD BY | RAY | | | | | | DWG NO. | 9156-TNS09-A1 |

| DATE | DRAWG BY | REVISED |
|------|----------|---------|
| | | |

△