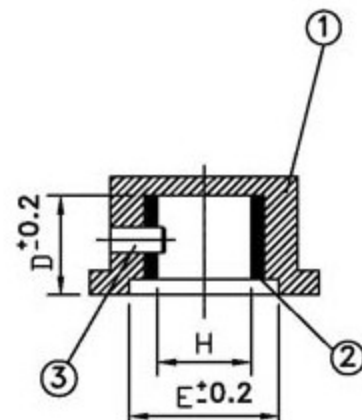
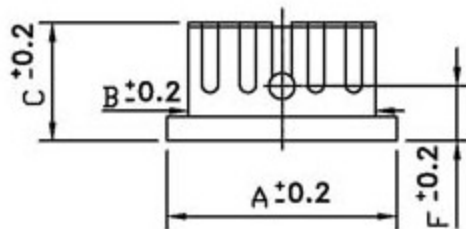
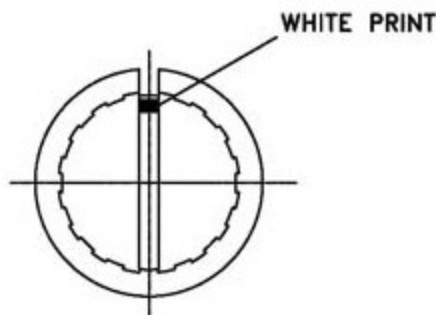


— 毅永企業有限公司 E-YUNG ENTERPRISE CO., LTD. —

NO.	9155A	9155B	9155C	9155D
A	∅35.5	∅24.2	∅20.6	∅15.6
B	∅29	∅20.4	∅18	∅13.6
C	∅18.3	20	16.4	15
D	15.4	18	14.5	13
E	∅23.2	∅14.2	∅11.8	∅9.6
F	8.1	10.1	8.5	

H : ∅6.4
∅6.1
∅3.2



UNLESS OTHERWISE SPECIFIED
GENERAL TOLERANCES

0.5~6 = ±0.2
>6~30 = ±0.4
>30~120 = ±0.6

3	SCREW	1	BRASS		
2	INNER SHAFT	1	BRASS		
1	BODY	1	BAKELITE		
NO.	DESCRIPTION	QTY	MATERIAL	SPECIFICATION	REMARK
DRAW BY	周佩君	041608	SCALE	1 : 1	ITEM NO. 9155
DEGN BY			UNIT	MM	PROJ
APPD BY					TITLE KNOB

DATE	DRAWG BY	REVISED	△
------	----------	---------	---

DRAWING NO. 9155-TNS09-A