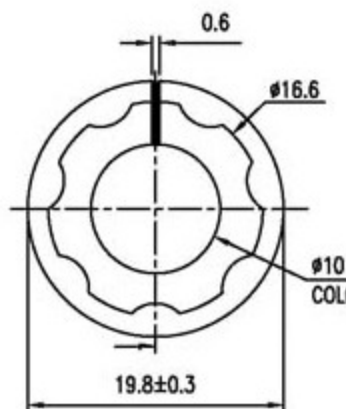
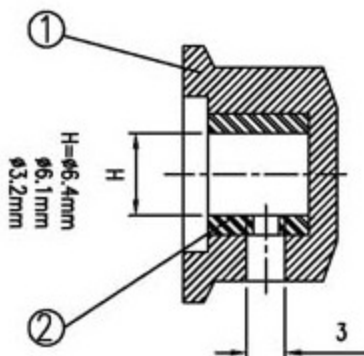
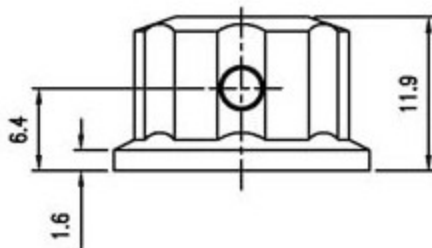
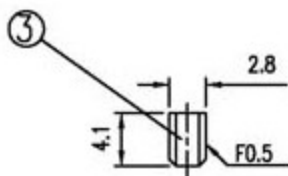


# — 毅永企業有限公司 E-YUNG ENTERPRISE CO., LTD. —

H=φ6.4mm  
 φ6.1mm  
 φ3.2mm



COLOR: RED, YELLOW, GREEN, BLUE



UNLESS OTHERWISE SPECIFIED  
 GENERAL TOLERANCES

0.5~6 = ±0.2  
 >6~30 = ±0.4  
 >30~120 = ±0.6

3	SCREW	1	BRASS		M3-P0.5	
2	INNER SHAFT	1	BRASS			
1	KNOB	1	BAKELITE			
NO.	DESCRIPTION	QTY	MATERIAL	SPECIFICATION	REMARK	
DRAW BY	周維君	082808	SCALE	1 : 2	PROJ	ITEM NO. 9153
DEGN BY	YANG		UNIT	MM		TITLE KNOB
APPD BY	RAY					DRAWING NO. 9153-TNS09-A

DATE	DRAWG BY	REVISED	△
------	----------	---------	---