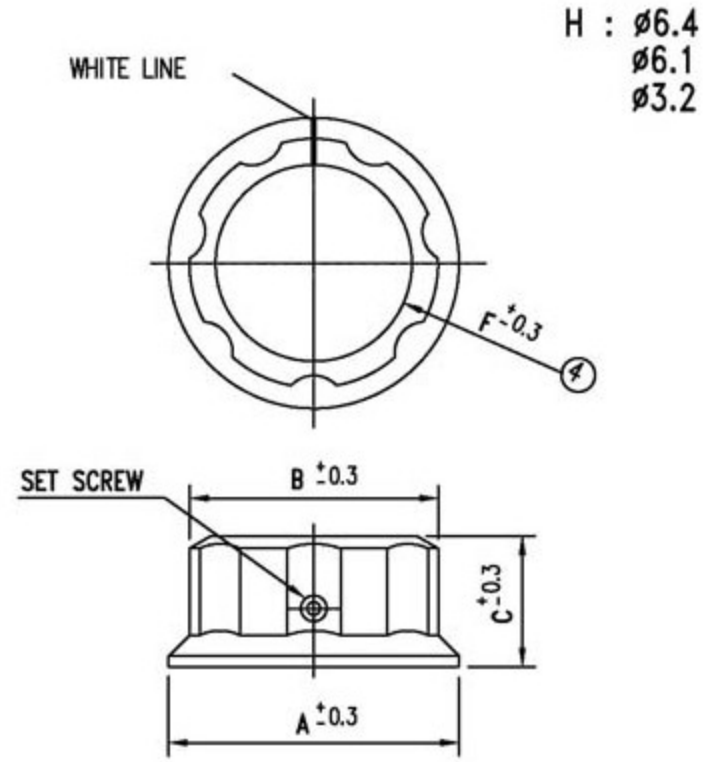
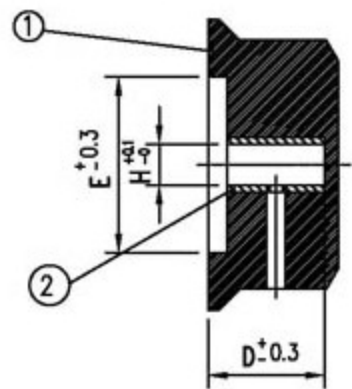
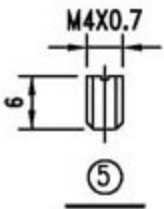


毅永企業有限公司 E-YUNG ENTERPRISE CO., LTD.

NO.	9150A	9150B	9150C	9150D
A	∅45.2	∅33	∅27.1	∅20
B	∅38.5	∅30	∅24.4	∅16.5
C	20.1	16.5	15.3	12
D	18	13.6	13.5	10.2
E	∅37.5	∅26.3	∅21.5	∅12
F	∅31	∅23	∅16	∅10



H : ∅6.4
∅6.1
∅3.2

9150A : M4x0.7x8L
9150B : M4x0.7x8L
9150C : M4x0.7x6L
9150D : M3x4L

UNLESS OTHERWISE SPECIFIED
GENERAL TOLERANCES
0.5°6 = ±0.2
>6°30 = ±0.4
>30°120 = ±0.6

5	SCREW	1	BRASS		M4xP0.7x6L	
4	PLATE	1	AL			
3	SCREW	1	BRASS			
2	INNER SHAFT	1	BRASS			
1	BODY	1	BAKELITE			
NO.	DESCRIPTION	QTY	MATERIAL	SPECIFICATION	REMARK	
DRAW BY	周佩君	041608	SCALE	1 : 1	ITEM NO. 9150	
DEGN BY			UNIT	MM	TITLE KNOB	
APPD BY					DRAWING NO. 9150-TNS09-A	

DATE	DRAWG BY	REVISED