

GQ Series

Part-number Description >>

GQ	★	■	- □	◇	/ ◆	/ △	/ ▲	/ ◎
Code of series	Mounting hole 8 Φ8mm 12 Φ12mm 16 Φ16mm 19 Φ19mm	The Front shape B Domed F Flat Round H High Round M Doorbell Push Button S Square <i>Note: Square type is just for GQ12</i>	Contact structure 10 1NO	Lamp type D Dot E Ring	Connect type J Pin terminal No letter means screw terminal	Lamp color and colorized button R Red G Green Y Yellow O Orange B Blue W White N Black	Lamp voltage AC/DC 6V AC/DC 12V AC/DC 24V AC/DC 36V <i>Note: Other voltage can be made to order</i>	The crust material N Nickel-plated Brass G Gold-plated Brass S Stainless steel A Zn-Al alloy (black) T Zn-Al (silvery white) PC Engineering plastic

- Note:** 1、Pls read the catalog carefully, and choose the right part-number according to the sign.
2、Φ16(NC) and Φ19(NC) can be made to order for the screw terminal type.

Lamp Ratings >>

Lamp Type	LED lamp(AC/DC)				Lamp Circuit diagram
Rated Voltage	AC/DC6V	AC/DC12V	AC/DC6V	AC/DC12V	
Rated Current	About 15mA				
LED Color	R G Y O B W				
Life	40000 hours(Reference)				

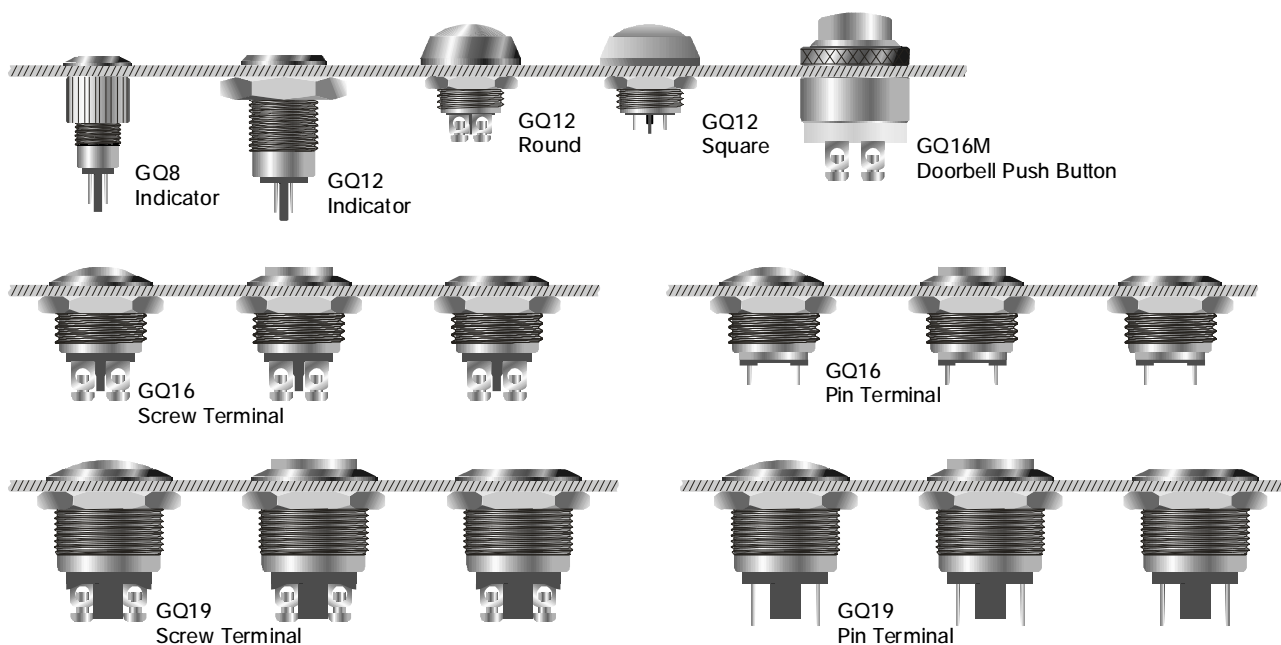
Using AC/DC LED lamp, the terminals have no difference of anode and cathode: Using inner resistance, do not need connect outer resistance. *GQ16 haven't inner resistance, need connect outer resistance.*

Note: DC LED and other voltage can be made to order.

Switching Operation >>

Type	Sign	Diagram	Explanation
X			Using two terminals, double-break and slow-motion contact. <i>Y type NC switch can be made to order for individual product, pls check the product description.</i>
Y			

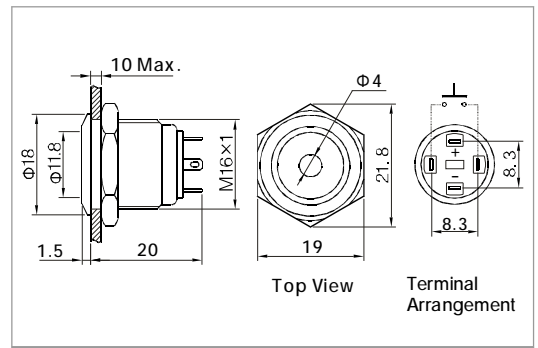
Installation Effect >>



Anti-vandal dot illuminated push button



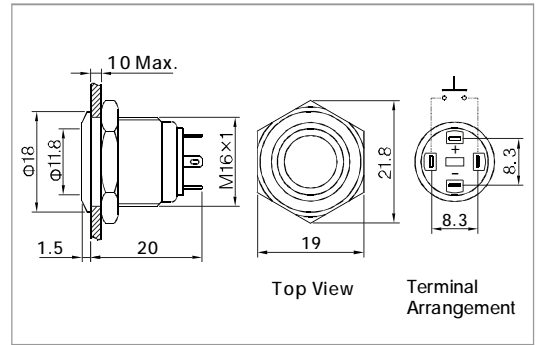
- ◎ Φ16mm Diameter
- ◎ Switch Rating: 2A/36VDC
- ◎ Contact Configuration: 1NO
- ◎ Operation Type: Momentary
- ◎ The Crust Material: Stainless Steel/Nickel Plated Brass
- ◎ Dot Illuminated
- ◎ IP Degree: IP65,IK08



Anti-vandal ring illuminated push button



- ◎ Φ16mm Diameter
- ◎ Switch Rating: 2A/36VDC
- ◎ Contact Configuration: 1NO
- ◎ Operation Type: Momentary
- ◎ The Crust Material: Stainless Steel/Nickel Plated Brass
- ◎ Ring Illuminated
- ◎ IP Degree: IP65,IK08



Specification		GQ16F-10D/J/Δ/▲/○		GQ16F-10E/J/Δ/▲/○			
The Front Shape		Flat Round		Flat Round			
Terminal Type		Pin Terminal(2×0.5mm)		Pin Terminal(2×0.5mm)			
Switching		X(double-break slow-motion contact)		X(double-break slow-motion contact)			
Max. Switch Rating		2A/36VDC		2A/36VDC			
Contact Resistance		≤50mΩ		≤50mΩ			
Insulation Resistance		≥1000MΩ		≥1000MΩ			
Dielectric Intensity		2000VAC		2000VAC			
Operating Temp		-20℃ ~ +55℃		-20℃ ~ +55℃			
Mechanical Life		1,000,000 cycles		1,000,000 cycles			
Electrical Life		200,000 cycles		200,000 cycles			
Panel Thickness		1 ~ 10mm		1 ~ 10mm			
Torque		5 ~ 14Nm		5 ~ 14Nm			
Operation Pressure		About 4N		About 4N			
Operation Travel		About 1.5mm		About 1.5mm			
IP Degree		IP65,IK08		IP65,IK08			
Material	Contact	Silver Alloy		Silver Alloy			
	Button	Stainless Steel/Nickel Plated Brass		Stainless Steel/Nickel Plated Brass			
	Body	Stainless Steel/Nickel Plated Brass		Stainless Steel/Nickel Plated Brass			
	Base	PBT		PBT			
	RoHS	Made to order		Made to order			
LED Spec.	Lamp type	Dot illuminated(LED)		Ring illuminated(LED)			
	Color	R Y O	G B W	R Y O	G B W		
	Rated Voltage(Ue)	AC/DC 1.7V	AC/DC 2.8V	AC/DC 1.7V	AC/DC 2.8V		
	Rated Current(Ie)	20mA		20mA			
	Life	40000 hours		40000 hours			
Current-Limiting Resistance Configuration Tble	Operating Voltage(U)		6V	12V	24V	36V	Formula $R = \frac{U - U_e}{I_e}$
	Current-Limiting Resistance(R)	R Y O	210Ω, 1/4W	510Ω, 1/2W	1.2kΩ, 3/4W	2.2KΩ, 1W	
		G B W	160Ω, 1/4W	460Ω, 1/2W	1.2KΩ, 3/4W	2.2KΩ, 1W	