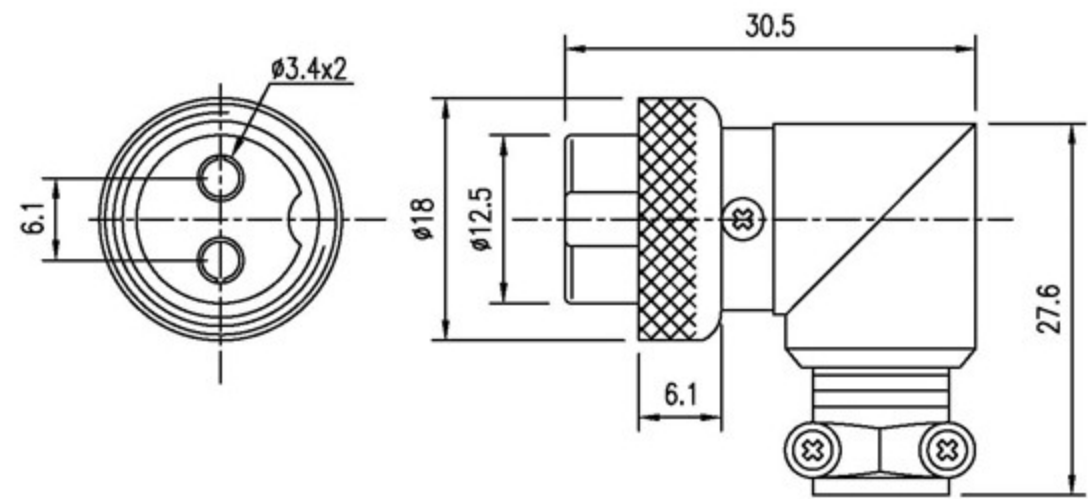
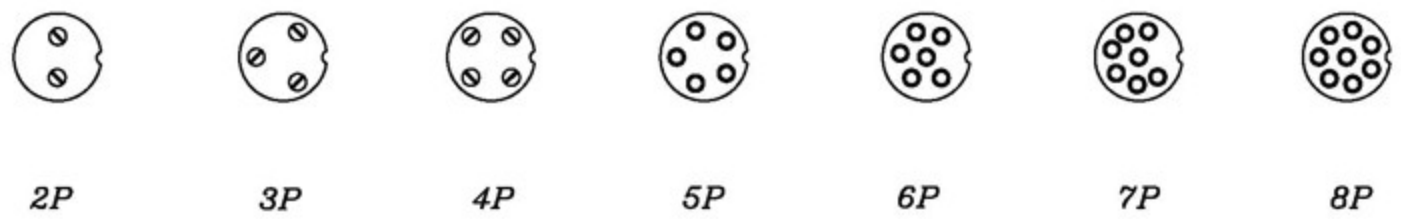


RoHS



2P - 8P FEMALE



UNLESS OTHERWISE SPECIFIED
 GENERAL TOLERANCES
 0.5~6 = ±0.2
 >6~30 = ±0.4
 >30~120 = ±0.6

NO.	DESCRIPTION	QTY	MATERIAL	SPECIFICATION	REMARK
DRAW BY	CHUN	11/18/10	SCALE	2 : 1	PROJ ITEM NO. 8043 TITLE MIC CONNECTOR DWG NO. 8043-CN36-C
DEGN BY	YANG		UNIT	MM	
APPD BY	RAY				

DATE	DRAWG BY	REVISED