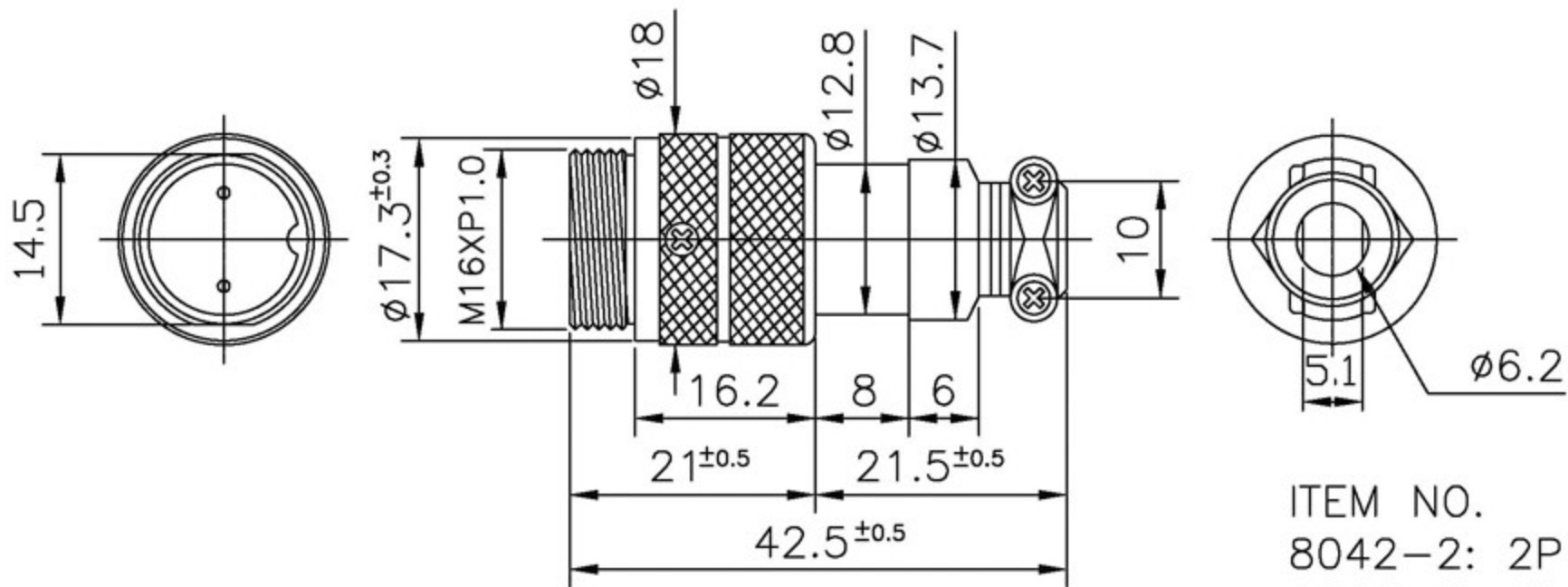
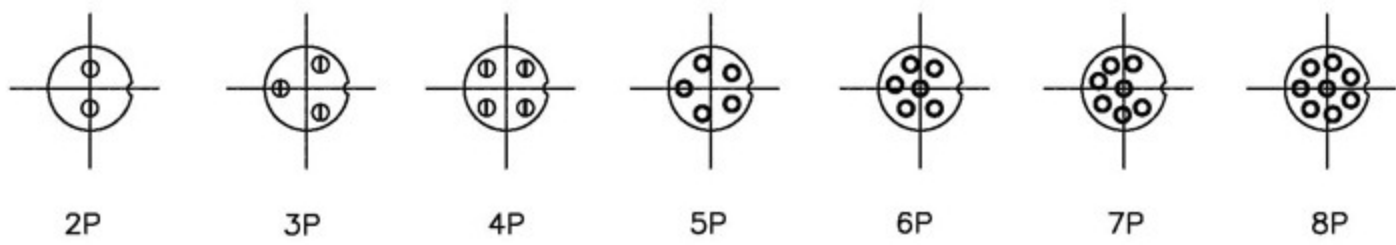


— 毅永企業有限公司 E-YUNG ENTERPRISE CO., LTD. —



- ITEM NO.
- 8042-2: 2P
 - 8042-3: 3P
 - 8042-4: 4P
 - 8042-5: 5P
 - 8042-6: 6P
 - 8042-7: 7P
 - 8042-8: 8P



UNLESS OTHERWISE SPECIFIED
 GENERAL TOLERANCES
 0.5~6 = ±0.2
 >6~30 = ±0.4
 >30~120 = ±0.6

| NO. | DESCRIPTION | QTY | MATERIAL | SPECIFICATION | REMARK |
|---------|-------------|--------|----------|---------------|----------------------|
| DRAW BY | CHUN | 070610 | 2 : 1 | PROJ | ITEM NO. 8042 |
| DEGN BY | YANG | | | | TITLE MIC CONNECTOR |
| APPD BY | RAY | | | | DWG NO. 8042-CN36-A1 |

| DATE | DRAWG BY | REVISED | |
|------|----------|---------|--|
| | | | |