

GQ Series

Part-number Description >>

GQ	★	■	— □	◇	/ ◆	/ △	/ ▲	/ ◎
Code of series	Mounting hole 8 Φ8mm 12 Φ12mm 16 Φ16mm 19 Φ19mm	The Front shape B Domed F Flat Round H High Round M Doorbell Push Button S Square <i>Note: Square type is just for GQ12</i>	Contact structure 10 1NO	Lamp type D Dot E Ring	Connect type J Pin terminal No letter means screw terminal	Lamp color and colorized button R Red G Green Y Yellow O Orange B Blue W White N Black	Lamp voltage AC/DC 6V AC/DC 12V AC/DC 24V AC/DC 36V <i>Note: Other voltage can be made to order</i>	The crust material N Nickel-plated Brass G Gold-plated Brass S Stainless steel A Zn-Al alloy(black) T Zn-Al(silvery white) PC Engineering plastic

- Note:** 1、Pls read the catalog carefully, and choose the right part-number according to the sign.
2、Φ16(NC)andΦ19(NC)can be made to order for the screw terminal type.

Lamp Ratings >>

Lamp Type	LED lamp(AC/DC)				Lamp Circuit diagram
Rated Voltage	AC/DC6V	AC/DC12V	AC/DC6V	AC/DC12V	
Rated Current	About 15mA				
LED Color	R G Y O B W				
Life	40000 hours(Reference)				

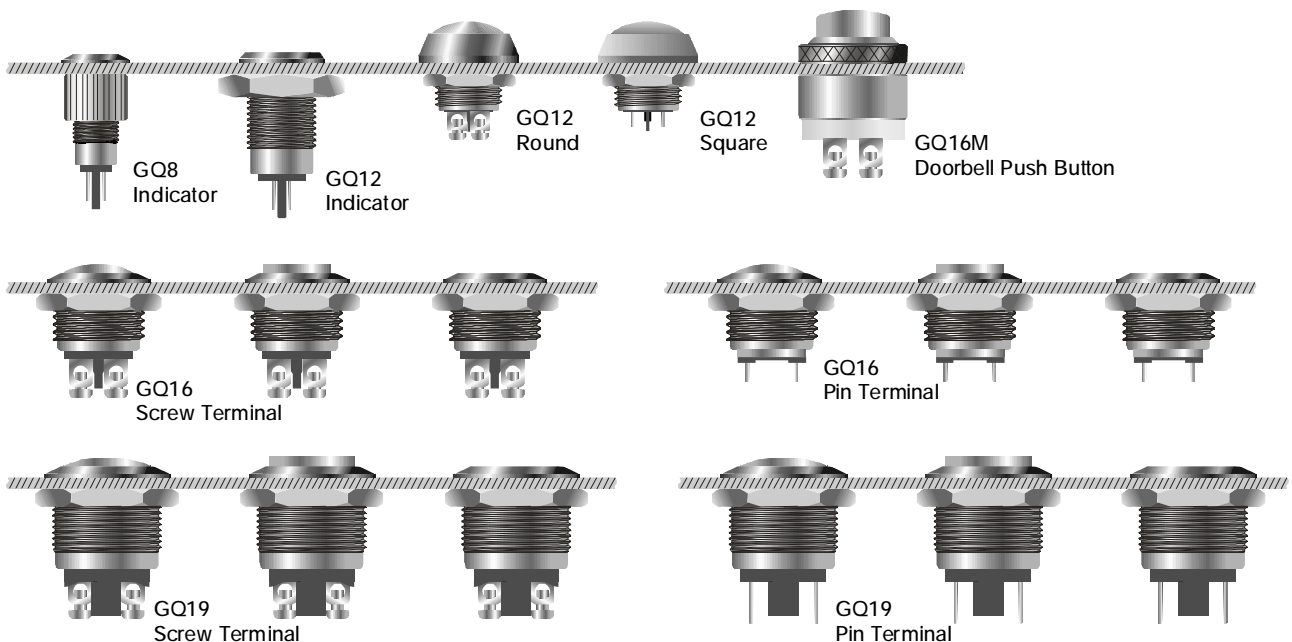
Using AC/DC LED lamp, the terminals have no difference of anode and cathode: Using inner resistance, do not need connect outer resistance. *GQ16 haven't inner resistance, need connect outer resistance.*

Note: DC LED and other voltage can be made to order.

Switching Operation >>

Type	Sign	Diagram	Explanation
X			Using two terminals, double-break and slow-motion contact. <i>Y type NC switch can be made to order for individual product, pls check the product description.</i>
Y			

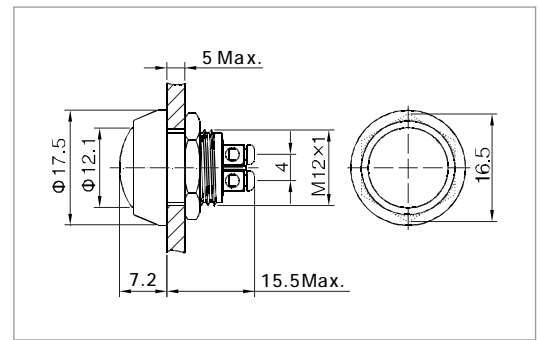
Installation Effect >>



Anti-vandal push button



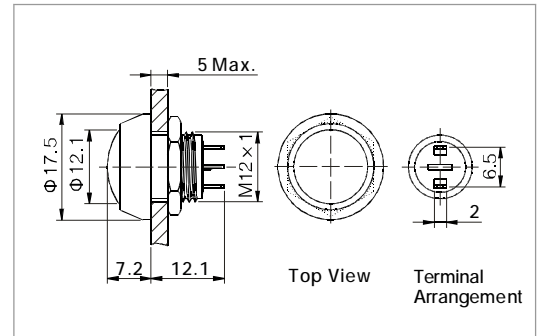
- ⊙ Φ 12mm Diameter
- ⊙ Switch Rating: 2A/36VDC
- ⊙ Contact Configuration: 1NO
- ⊙ Operation Type: Momentary
- ⊙ The Crust Material: Stainless Steel/
Nickel Plated Brass
- ⊙ IP Degree: IP65,IK08



Anti-vandal push button



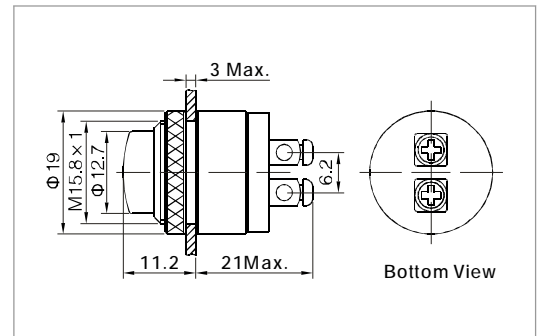
- ⊙ Φ 12mm Diameter
- ⊙ Switch Rating: 2A/36VDC
- ⊙ Contact Configuration: 1NO
- ⊙ Operation Type: Momentary
- ⊙ The Crust Material: Stainless Steel/
Nickel Plated Brass
- ⊙ IP Degree: IP65,IK08



Door bell push button



- ⊙ Φ 16mm Diameter
- ⊙ Switch Rating: 2A/36VDC
- ⊙ Contact Configuration: 1NO
- ⊙ Operation Type: Momentary
- ⊙ The Crust Material:
Brass (bronze-colored)
- ⊙ IP Degree: IP40,IK09



Specification	GQ12B-10/0	GQ12B-10/J/0	GQ16M-10
Terminal Type	Screw Terminal	Pin Terminal(2× 0.5mm)	Screw Terminal
Switching	X(double-break slow-motion contact)	X(double-break slow-motion contact)	X(double-break slow-motion contact)
Max. Switch Rating	2A/36VDC	2A/36VDC	2A/36VDC
Contact Resistance	≤50mΩ	≤50mΩ	≤50mΩ
Insulation Resistance	≥1000MΩ	≥1000MΩ	≥1000MΩ
Dielectric Intensity	2000VAC	2000VAC	2000VAC
Operating Temp	-20℃ ~ +55℃	-20℃ ~ +55℃	-20℃ ~ +55℃
Mechanical Life	1,000,000 cycles	1,000,000 cycles	1,000,000 cycles
Electrical Life	200,000 cycles	200,000 cycles	200,000 cycles
Panel Thickness	1 ~ 5mm	1 ~ 5mm	1 ~ 3mm
Torque	5 ~ 14Nm	5 ~ 14Nm	5 ~ 14Nm
Operation Pressure	About 5N	About 5N	About 8N
Operation Travel	About 2.5mm	About 2.5mm	About 3mm
IP Degree	IP65,IK08	IP65,IK08	IP40,IK09
Material	Contact	Sliver Alloy	Sliver Plated Brass
	Button	Stainless Steel/Nickel Plated Brass	Brass(Bronze-colored)
	Body	Stainless Steel/Nickel Plated Brass	Brass(Bronze-colored)
	Base	PBT	PBT
	RoHS	Made to order	Made to order
Head Color	—	—	Bronze-colored