

## Part-number Description >>

LAS1 — ★ — □ ■ / ◇ / ◆● / △ / ▲							
Code of series	Code name	Contact structure:	Operation mode:	Lamp type	◆ Operation position of selector and key-lock type: 2 Two position 3 Three position ● Operation type of selector and key-lock switch: 1 Maintain 2 Half return 3 Return	Lamp color	Lamp voltage
	BGQ	11 1NO1NC	Z Latching type	D Dot		R Red	AC/DC 6V
	BGQ22	22 2NO2NC	W Micro-travel type	E Ring		G Green	AC/DC 12V
	BGQ25	33 3NO3NC	X Selector type			Y Yellow	AC/DC 24V
	BGQ30	Different code name have different contact structure	Y Key-lock type			O Orange	AC/DC 110V
			TS Emergency stop			B Blue	AC/DC 220V
			No letter means momentary			W White	Note: Other voltage can be made to order

Note: 1, Pls read the catalog carefully ,and choose the right part-number according to the sign.

2, LAS1-BGQ22,LAS1-BGQ25 can be written as GQ22,GQ25.

## Lamp Ratings >>

Lamp Type	LED lamp(AC/DC)			Lamp Circuit Diagram
Rated Voltage	AC/DC6V	AC/DC12V	AC/DC110V	
	AC/DC24V	AC/DC36V	AC/DC220V	
Rated Current	About 15mA		About 3mA	
LED Color	<span style="color:red">R</span> <span style="color:green">G</span> <span style="color:yellow">Y</span> <span style="color:orange">O</span> <span style="color:blue">B</span> <span style="border:1px solid black; padding:0 2px;">W</span>			
Life	40000 hours(Reference)			

Using AC/DC LED lamp, the terminals have no difference of anode and cathode:  
Using inner resistance, do not need connect outer resistance.

Note: DC LED and other voltage can be made to order.

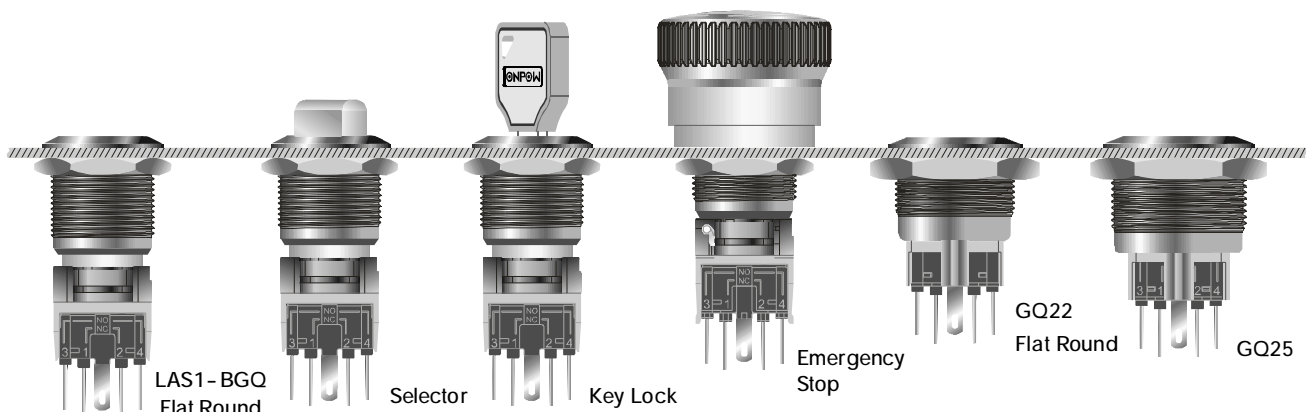
## Switching Operation >>

Type	Za
Diagram	
Sign	
Explanation	Using four terminals, double-break and fast-motion changeover contact (except GQ22-WE)

## Terminal Description >>

LAS1-BGQ、LAS1-BGQ30	(LAS1-B)GQ22	(LAS1-B)GQ25
LED Pin	LED Pin	LED Pin
1,2,3,4 are one set;1,2 are normal closed(NC);3,4 are normal opened(NO). The standard LED terminals have no difference of anode and cathode. The lamp and switch are relatively independent and can use switch or peripheral circuit to control the lamp state.		

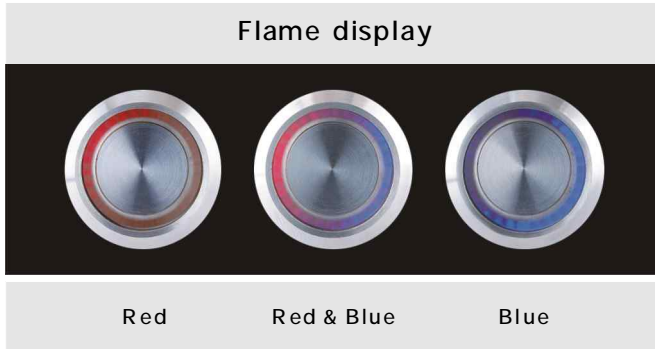
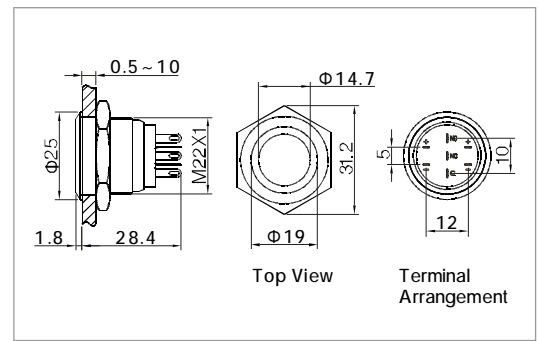
## Installation Effect >>



## Anti-vandal micro-travel push button



- ⊙ Φ22mm Diameter
- ⊙ Switch Rating: 0.5A/250VAC
- ⊙ Contact Configuration:1NO1NC
- ⊙ Operation Type: Momentary
- ⊙ The Crust Material: Stainless Steel
- ⊙ Ring Illuminated
- ⊙ Travel:0.5mm
- ⊙ IP Degree: IP67
- ⊙ Contact structure is same as LAS1-AGQ, check the detail from P24



### Feature:

- ⊙ Whole sealing structure, strong waterproof;
- ⊙ Micro-travel, nice operating hand feeling;
- ⊙ Using inner switch module, reliable and sensitive connection;
- ⊙ Using two lamps; have many LED color to recognize different signal. The same color flame in crescent ring, the different color can generate third mixed flame color at the blending place.
- ⊙ Used for low-current circuit to control the on-off signal of electronic logic circuit.

Specification	GQ22-11WE/Δ/Δ/▲		
The Front Shape	Flat Round		
Terminal Type	Pin Terminal(2.4 × 0.3mm)		
Switching	C(single-break fast-motion changeover contact)		
Max. Switch Rating	0.5A/250VAC		
Contact Resistance	≤30m Ω		
Insulation Resistance	≥1000MΩ		
Dielectric Intensity	2000VAC		
Operating Temp	-20℃ ~ +55℃		
Mechanical Life	1,000,000 cycles		
Electrical Life	300,000 cycles		
Panel Thickness	0.5~10mm		
Torque	5~14Nm		
Operation Pressure	About 3~6N		
Operation Travel	About 0.5mm		
IP Degree	IP67		
Material	Contact	Silver Alloy	
	Button	Stainless Steel	
	Body	Stainless Steel	
	Base	PA	
	RoHS	Made to order	
LED	Type	Dual-color Ring Illuminated(LED)	
	Rated Voltage	6V / 12V / 24V / 110V / 220V	
Spec.	Color	R G Y O B W	
	Life	40000 hours	