

Part-number Description >>

| LAS1 — ★ — □ ■ / ◇ / ◆● / △ / ▲ | | | | | | | |
|---------------------------------|-----------|--|---------------------------|-----------|---|------------|--|
| Code of series | Code name | Contact structure: | Operation mode: | Lamp type | ◆ Operation position of selector and key-lock type: 2 Two position 3 Three position ● Operation type of selector and key-lock switch: 1 Maintain 2 Half return 3 Return | Lamp color | Lamp voltage |
| | BGQ | 11 1NO1NC | Z Latching type | D Dot | | R Red | AC/DC 6V |
| | BGQ22 | 22 2NO2NC | W Micro-travel type | E Ring | | G Green | AC/DC 12V |
| | BGQ25 | 33 3NO3NC | X Selector type | | | Y Yellow | AC/DC 24V |
| | BGQ30 | Different code name have different contact structure | Y Key-lock type | | | O Orange | AC/DC 110V |
| | | | TS Emergency stop | | | B Blue | AC/DC 220V |
| | | | No letter means momentary | | | W White | Note: Other voltage can be made to order |

Note: 1, Pls read the catalog carefully ,and choose the right part-number according to the sign.

2, LAS1-BGQ22,LAS1-BGQ25 can be written as GQ22,GQ25.

Lamp Ratings >>

| Lamp Type | LED lamp(AC/DC) | | | Lamp Circuit Diagram |
|---------------|---|----------|-----------|----------------------|
| Rated Voltage | AC/DC6V | AC/DC12V | AC/DC110V | |
| | AC/DC24V | AC/DC36V | AC/DC220V | |
| Rated Current | About 15mA | | About 3mA | |
| LED Color | R G Y O B W | | | |
| Life | 40000 hours(Reference) | | | |

Using AC/DC LED lamp, the terminals have no difference of anode and cathode:
Using inner resistance, do not need connect outer resistance.

Note: DC LED and other voltage can be made to order.

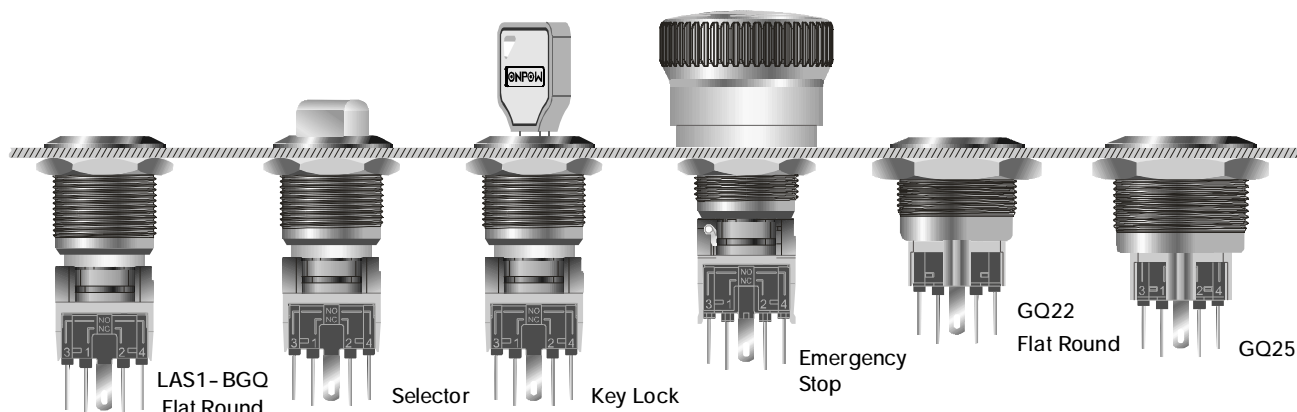
Switching Operation >>

| Type | Za |
|-------------|--|
| Diagram | |
| Sign | |
| Explanation | Using four terminals, double-break and fast-motion changeover contact (except GQ22-WE) |

Terminal Description >>

| LAS1-BGQ、LAS1-BGQ30 | (LAS1-B)GQ22 | (LAS1-B)GQ25 |
|--|--------------|--------------|
| | | |
| LED Pin | LED Pin | LED Pin |
| <p>1,2,3,4 are one set;1,2 are normal closed(NC);3,4 are normal opened(NO). The standard LED terminals have no difference of anode and cathode. The lamp and switch are relatively independent and can use switch or peripheral circuit to control the lamp state.</p> | | |

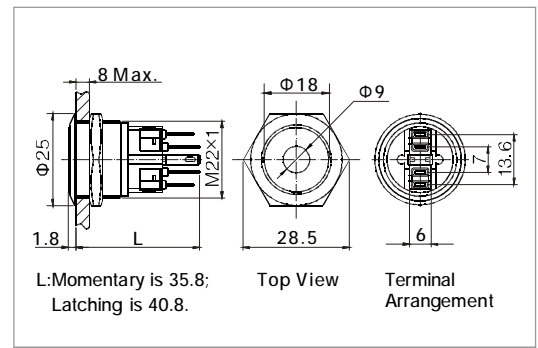
Installation Effect >>



Anti-vandal dot illuminated push button



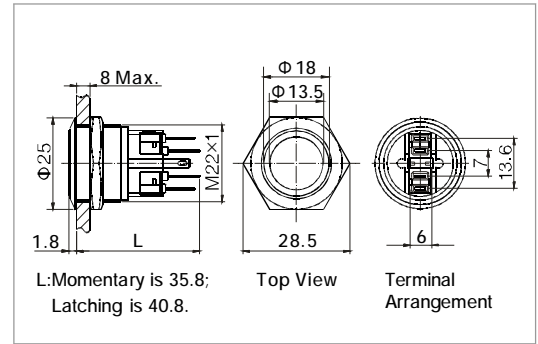
- ⊙ Φ22mm Diameter
- ⊙ Switch Rating: 5A/250VAC
- ⊙ Contact Configuration:1NO1NC
- ⊙ Operation Type: Momentary/Latching
- ⊙ The Crust Material: Stainless Steel
- ⊙ Dot Illuminated
- ⊙ IP Degree: IP65, IK10



Anti-vandal ring illuminated push button



- ⊙ Φ22mm Diameter
- ⊙ Switch Rating: 5A/250VAC
- ⊙ Contact Configuration:1NO1NC
- ⊙ Operation Type: Momentary/Latching
- ⊙ The Crust Material: Stainless Steel
- ⊙ Ring Illuminated
- ⊙ IP Degree: Ip65, IK10



| Specification | GQ22-11 ■D/Δ/▲ | GQ22-11 ■E/Δ/▲ |
|-----------------------|---|---|
| The Front Shape | Flat Round | Flat Round |
| Terminal Type | Pin Terminal(2.8×0.5mm) | Pin Terminal(2.8×0.5mm) |
| Switching | Za(double-break fast-motion changeover contact) | Za(double-break fast-motion changeover contact) |
| Max. Switch Rating | Ith:5A Ui:250VAC | Ith:5A Ui:250VAC |
| Contact Resistance | ≤50mΩ | ≤50mΩ |
| Insulation Resistance | ≥1000MΩ | ≥1000MΩ |
| Dielectric Intensity | 2000VAC | 2000VAC |
| Operating Temp | -20℃ ~ +55℃ | -20℃ ~ +55℃ |
| Mechanical Life | 1,000,000 cycles | 1,000,000 cycles |
| Electrical Life | 50,000 cycles | 50,000 cycles |
| Panel Thickness | 1 ~ 8mm | 1 ~ 8mm |
| Torque | 5 ~ 14Nm | 5 ~ 14Nm |
| Operation Pressure | About 5.5N | About 5.5N |
| Operation Travel | About 2.5mm | About 2.5mm |
| IP Degree | IP65,IK10 | IP65,IK10 |
| Material | Contact | Silver Alloy |
| | Button | Stainless Steel |
| | Body | Stainless Steel |
| | Base | PA |
| | RoHS | Made to order |
| LED | Type | Dot Illuminated(LED) |
| | Rated Voltage | 6V / 12V / 24V / 110V / 220V |
| Spec. | Color | R G Y O B W |
| | Life | 40000 hours |