

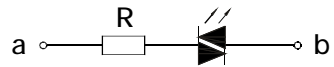
Part-number Description >>

LAS1 — ★ — □ ■ / ◇ / ◆ ● / △ / ▲							
Code of series	Code name	Contact structure:	Operation mode:	Lamp type	◆ Operation position of selector and key-lock type:	Lamp color	Lamp voltage
	BGQ	11 1NO1NC	Z Latching type	D Dot	2 Two position	R Red	AC/DC 6V
	BGQ22	22 2NO2NC	W Micro-travel type	E Ring	3 Three position	G Green	AC/DC 12V
	BGQ25	33 3NO3NC	X Selector type		● Operation type of selector and key-lock switch:	Y Yellow	AC/DC 24V
	BGQ30	Different code name have different contact structure	Y Key-lock type		1 Maintain	O Orange	AC/DC 110V
			TS Emergency stop		2 Half return	B Blue	AC/DC 220V
			No letter means momentary		3 Return	W White	Note: Other voltage can be made to order

Note: 1, Pls read the catalog carefully ,and choose the right part- number according to the sign.

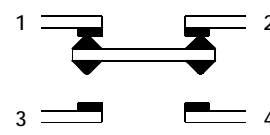
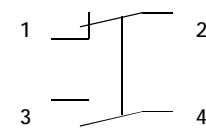
2, LAS1-BGQ22,LAS1-BGQ25 can be written as GQ22,GQ25.

Lamp Ratings >>

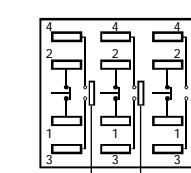
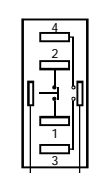
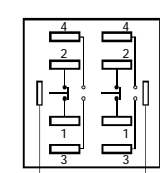
Lamp Type	LED lamp(AC/DC)			Lamp Circuit Diagram	
Rated Voltage	AC/DC6V	AC/DC12V	AC/DC110V		 <p>Using AC/DC LED lamp, the terminals have no difference of anode and cathode: Using inner resistance, do not need connect outer resistance.</p>
	AC/DC24V	AC/DC36V	AC/DC220V		
Rated Current	About 15mA		About 3mA		
LED Color	R G Y O B W				
Life	40000 hours(Reference)				

Note: DC LED and other voltage can be made to order.

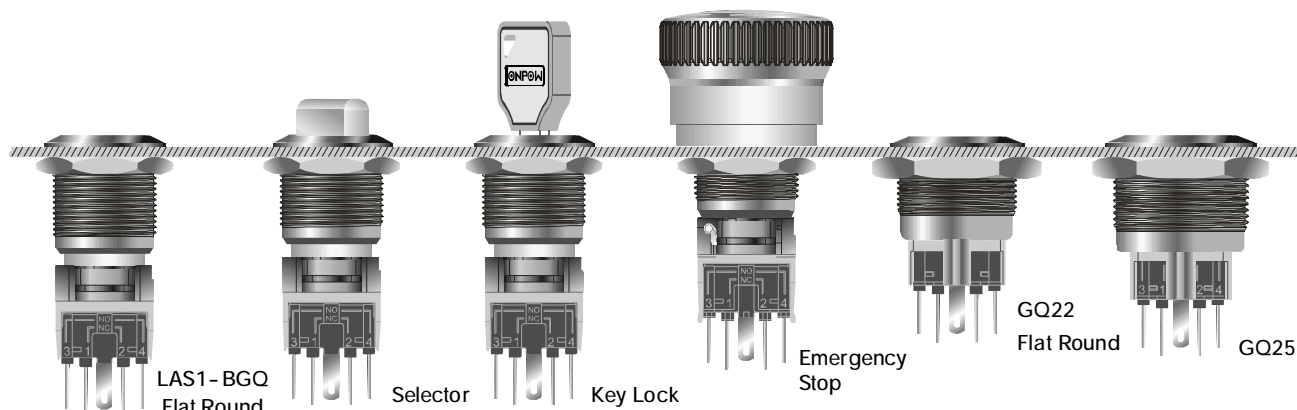
Switching Operation >>

Type	Za
Diagram	
Sign	
Explanation	Using four terminals, double-break and fast-motion changeover contact (except GQ22-WE)

Terminal Description >>

LAS1-BGQ、LAS1-BGQ30	(LAS1-B)GQ22	(LAS1-B)GQ25
		
<p>1,2,3,4 are one set;1,2 are normal closed(NC);3,4 are normal opened(NO). The standard LED terminals have no difference of anode and cathode. The lamp and switch are relatively independent and can use switch or peripheral circuit to control the lamp state.</p>		

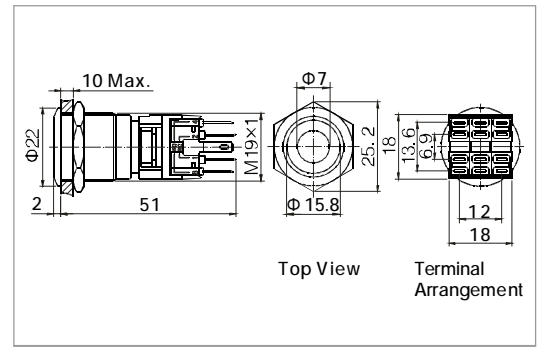
Installation Effect >>



Metal dot illuminated push button



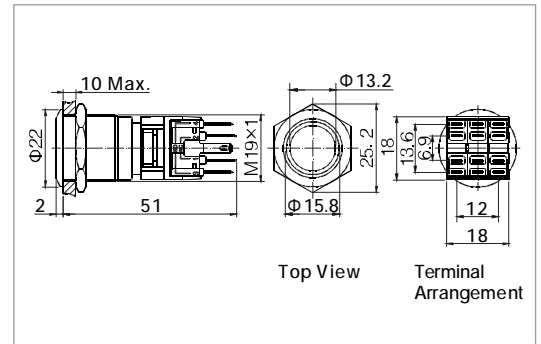
- ⊙ Φ 19mm Diameter
- ⊙ Combined Structure
- ⊙ Switch Rating: 5A/250VAC
- ⊙ Contact Configuration: 1NO1NC/
2NO2NC/3NO3NC
- ⊙ Operation Type: Momentary/Latching
- ⊙ The Crust Material: Stainless Steel
- ⊙ IP Degree: IP67, IK09



Metal ring illuminated push button



- ⊙ Φ 19mm Diameter
- ⊙ Combined Structure
- ⊙ Switch Rating: 5A/250VAC
- ⊙ Contact Configuration: 1NO1NC/
2NO2NC/3NO3NC
- ⊙ Operation Type: Momentary/Latching
- ⊙ The Crust Material: Stainless Steel
- ⊙ IP Degree: IP67, IK08



Specification	LAS1-BGQ-□■D/△/▲	LAS1-BGQ-□■E/△/▲	
The Front Shape	Flat Round	Flat Round	
Terminal Type	Pin Terminal(2.8×0.5mm)	Pin Terminal(2.8×0.5mm)	
Switching	Za(double-break fast-motion changeover contact)	Za(double-break fast-motion changeover contact)	
Max. Switch Rating	Ith:5A Ui:250VAC	Ith:5A Ui:250VAC	
Contact Resistance	≤50mΩ	≤50mΩ	
Insulation Resistance	≥1000MΩ	≥1000MΩ	
Dielectric Intensity	2000VAC	2000VAC	
Operating Temp	-20°C ~ +55°C	-20°C ~ +55°C	
Mechanical Life	1,000,000 cycles	1,000,000 cycles	
Electrical Life	50,000 cycles	50,000 cycles	
Panel Thickness	1 ~ 10mm	1 ~ 10mm	
Torque	5 ~ 14Nm	5 ~ 14Nm	
Operation Pressure	5.5~8N	5.5~8N	
Operation Travel	About 3.1mm	About 3.1mm	
IP Degree	IP67,IK09	IP67,IK08	
Material	Contact	Silver Alloy	Silver Alloy
	Button	Stainless Steel	Stainless Steel
	Body	Stainless Steel	Stainless Steel
	Base	PA	PA
	RoHS	Made to order	Made to order
LED	Type	Dot Illuminated(LED)	Ring Illuminated(LED)
	Rated Voltage	6V / 12V / 24V / 110V / 220V	6V / 12V / 24V / 110V / 220V
Spec.	Color	R G Y O B W	R G Y O B W
	Life	40000 hours	40000 hours