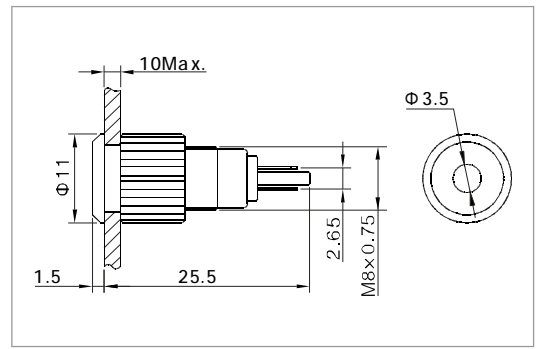


Anti-vandal indicator



GQ8F-D/Δ/▲

- ⊙ Φ 8mm Diameter
- ⊙ Voltage Rating: ≤36V
- ⊙ Rated Current: 15mA
- ⊙ Type: LED
- ⊙ Color: R/G/Y/O/B/W
- ⊙ The Crust Material: Nickel Plated Brass
- ⊙ IP Degree: IP67,IK10

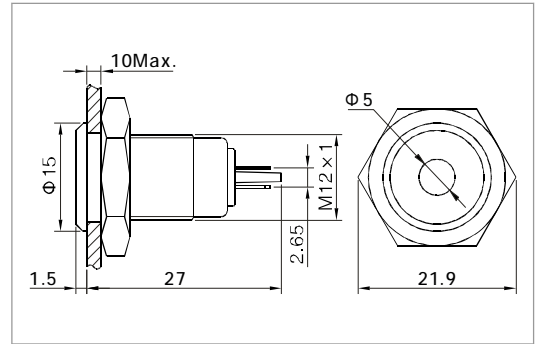


Anti-vandal indicator



GQ12F-D/Δ/▲

- ⊙ Φ 12mm Diameter
- ⊙ Voltage Rating: ≤36V
- ⊙ Rated Current: 15mA
- ⊙ Type: LED
- ⊙ Color: R/G/Y/O/B/W
- ⊙ The Crust Material: Nickel plated Brass
- ⊙ IP Degree: IP67,IK10



Specification		GQ8F-D/Δ/▲	GQ12F-D/Δ/▲
Terminal Type		Pin Terminal(1.8×0.4mm)	Pin Terminal(1.8×0.4mm)
Dielectric Intensity		1100VAC	2000VAC
Operating Temp		-20°C ~ +55°C	-20°C ~ +55°C
Panel Thickness		1 ~ 10mm	1 ~ 10mm
Torque		5 ~ 14Nm	5 ~ 14Nm
IP Degree		IP67,IK10	IP67,IK10
Material	Lampshade	PC	PC
	Body	Nickel Plated Brass	Nickel Plated Brass
	Base	PBT	PBT
	RoHS	Made to order	Made to order
LED Spec.	Type	LED	LED
	Rated Voltage	6V/12V/24V/36V	6V/12V/24V/36V
	Rated Current	15mA	15mA
	Color	R G Y O B W	R G Y O B W
	Life	40000 hours	40000 hours