

LAS1-AGQ Series

Part-number Description >>

LAS1	—	★	—	□	■	◇	/	◆●	/	△	/	▲
Code of Series	Code name	Contact structure	Operation mode	Lamp type	◆ Operation position of selector and key-lock type:	Lamp color	Lamp and buzzer's voltage					
	AGQ AGQ30	11 1NO1NC 22 2NO2NC	Z Latching type X Selector type Y Key-lock type M Buzzer SM Flash buzzer No letter means momentary	D Dot E Ring	2 Two position 3 Three position	R Red G Green Y Yellow O Orange B Blue W White	AC/DC 6V AC/DC 12V AC/DC 24V AC/DC 110V AC/DC 220V					
					● Operation type of selector and key-lock switch:		Note: Other voltage can be made to order					
					1 Maintain 3 Return							

Note: Pls read the catalog carefully ,and choose the right part-number according to the sign.

Lamp Ratings >>

Lamp Type	LED lamp(AC/DC)			Lamp Circuit Diagram
Rated Voltage	AC/DC6V	AC/DC12V	AC/DC110V	
	AC/DC24V	AC/DC36V	AC/DC220V	
Rated Current	About 15mA		About 3mA	
LED Color	R G Y O B W			
Life	40000 hours(Reference)			

Using AC/DC LED lamp, the terminals have no difference of anode and cathode:
Using inner resistance, do not need connect outer resistance.

Note: DC LED and other voltage can be made to order.

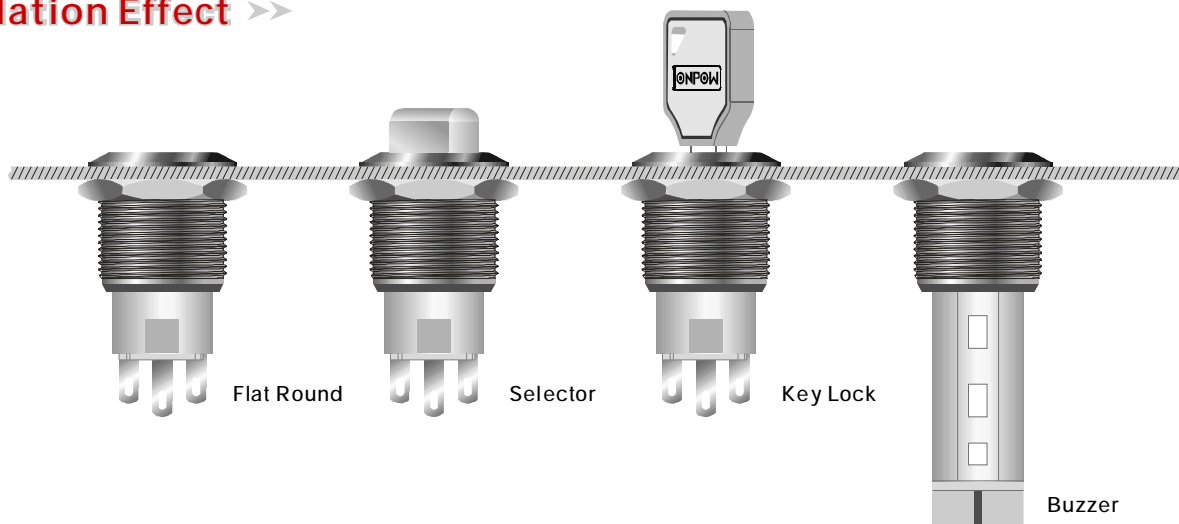
Switching Operation >>

Type	C
Diagram	
Sign	
Explanation	Using three terminals, single-break and fast-motion changeover contact.

Terminal Description >>

- Can use at most two sets.
- C1,NO1,NC1 and C2,NO2,NC2 are one set respectively;
- C is common used, NO is normal opened, NC is normal closed;
- +, - are lamp terminals, the standard LED have no difference of anode and cathode.
- The lamp and switch are relatively independent and can use switch or peripheral circuit to control the lamp state.

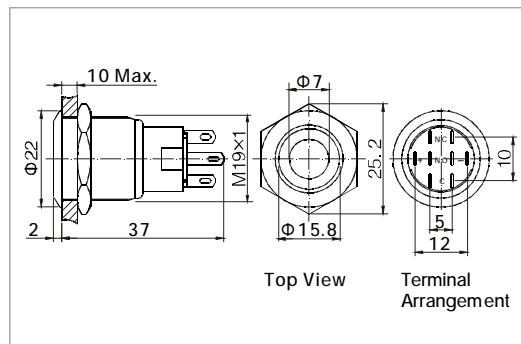
Installation Effect >>



Metal dot illuminated push button



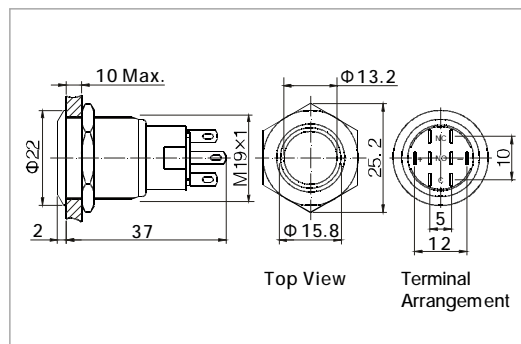
- ⊙ Φ 19mm Diameter
- ⊙ Switch Rating: 5A/250VAC
- ⊙ Contact Configuration:
1NO1NC/2NO2NC
- ⊙ Operation Type: Momentary/Latching
- ⊙ The Crust Material: Stainless Steel
- ⊙ Dot Illuminated
- ⊙ IP Degree: IP67, IK09



Metal ring illuminated push button



- ⊙ Φ 19mm Diameter
- ⊙ Switch Rating: 5A/250VAC
- ⊙ Contact Configuration:
1NO1NC/2NO2NC
- ⊙ Operation Type: Momentary/Latching
- ⊙ The Crust Material: Stainless Steel
- ⊙ Ring Illuminated
- ⊙ IP Degree: IP67, IK08



Specification	LAS1-AGQ-□■D/△/▲	LAS1-AGQ-□■E/△/▲	
The Front Shape	Flat Round	Flat Round	
Terminal Type	Pin Terminal(2.8×0.5mm)	Pin Terminal(2.8×0.5mm)	
Switching	C(single-break fast-motion changeover contact)	C(single-break fast-motion changeover contact)	
Max. Switch Rating	Ith:5A Ui:250VAC	Ith:5A Ui:250VAC	
Contact Resistance	≤ 50mΩ	≤ 50mΩ	
Insulation Resistance	≥ 1000MΩ	≥ 1000MΩ	
Dielectric Intensity	2000VAC	2000VAC	
Operating Temp	-20℃ ~ +55℃	-20℃ ~ +55℃	
Mechanical Life	1,000,000 cycles	1,000,000 cycles	
Electrical Life	50,000 cycles	50,000 cycles	
Panel Thickness	1 ~ 10mm	1 ~ 10mm	
Torque	5 ~ 14Nm	5 ~ 14Nm	
Operation Pressure	3 ~ 5N	3 ~ 5N	
Operation Travel	About 3.1mm	About 3.1mm	
IP Degree	IP67,IK09	IP67,IK08	
Material	Contact	Silver Alloy	Silver Alloy
	Button	Stainless Steel	Stainless Steel
	Body	Stainless Steel	Stainless Steel
	Base	PBT	PBT
	RoHS	Made to order	Made to order
LED	Type	Dot Illuminated(LED)	Ring Illuminated(LED)
	Rated Voltage	6V / 12V / 24V / 110V / 220V	6V / 12V / 24V / 110V / 220V
Spec.	Color	R G Y O B W	R G Y O B W
	Life	40000 hours	40000 hours