

**LAS2GQ Series**

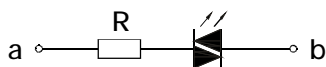
## Part-number Description >>

LAS2	GQ	★	—	□	■	◇	/	△	/	▲	/	◎	/	☆
Code of series	Code name	The front shape	Contact structure:	Operation mode:	Lamp type	Lamp color and colorized button	Lamp voltage:	The crust material:	IP degree					
		F Flat Round H High Round C Concave Round G High Concave Round	11 1NO1NC 22 2NO2NC	Z Latching type No letter means momentary	D Dot E Ring	R Red G Green Y Yellow O Orange B Blue W White	AC/DC 6V AC/DC 12V AC/DC 24V AC/DC 110V AC/DC 220V <b>Note: Other voltage can be made to order</b>	N Nickel-plated Brass S Stainless steel	FP IP67 No letter means IP40  <b>Pls check the detailed IP degree from P37</b>					

**Note:** Pls read the catalog carefully, and choose the right part-number according to the sign.

## Lamp Ratings >>

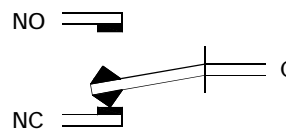
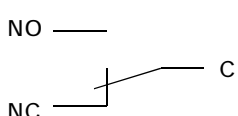
Lamp Type	LED lamp(AC/DC)			Lamp Circuit Diagram
LED Color	<span style="color:red">R</span> <span style="color:green">G</span> <span style="color:yellow">Y</span> <span style="color:orange">O</span> <span style="color:blue">B</span> <span style="border:1px solid black; padding:1px;">W</span>			
Life	40000 hours(Reference)			
Rated Voltage	AC/DC6V	AC/DC12V	AC/DC110V	
	AC/DC24V	AC/DC36V	AC/DC220V	
Rated Current	About 15mA		About 3mA	
Dropping Way	Inner resistance		Outer resistance when using 6V lamp	



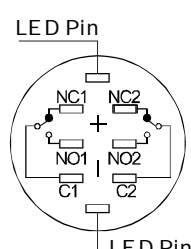
- Using AC/DC LED lamp, the terminals have no difference of anode and cathode;
- Using inner resistance for the lamp below 60V. Using 6V lamp when the lamp voltage is above 60V, and need connect **outer** dropping resistance.

**Note:** DC LED and other voltage can be made to order.

## Switching Operation >>

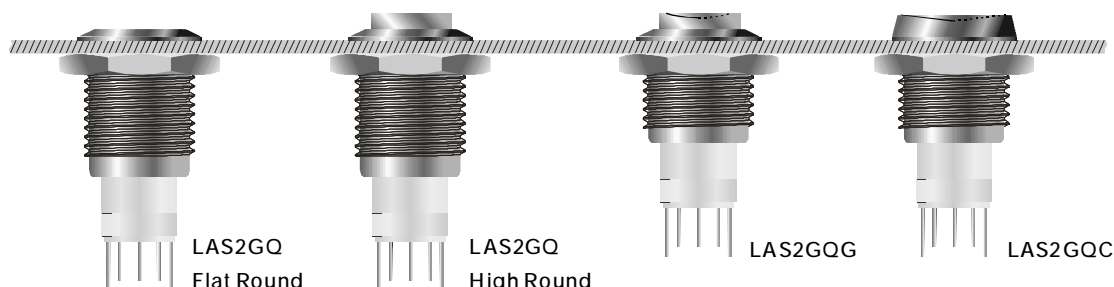
TYPE	C
Diagram	
Sign	
Explanation	Using three terminals, single-break and fast-motion changeover contact.

## Terminal Description >>



Can use two sets at most .  
 C1,NO1,NC1 and C2,NO2,NC2 are one set respectively.  
 C is common used, NO is normal opened, NC is normal closed;  
 +、- are lamp terminals, the standard LED have no difference of anode and cathode;  
 The lamp and switch are relatively independent and can use switch or peripheral circuit to control the lamp state.

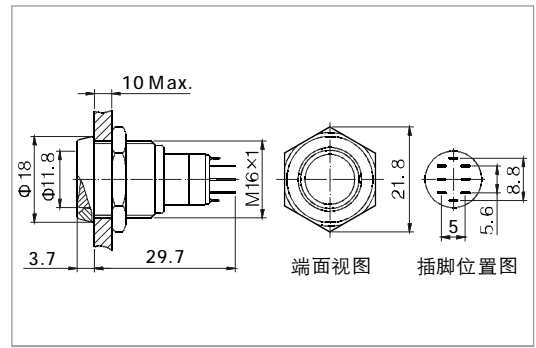
## Installation Effect >>



## Anti-vandal metal push button



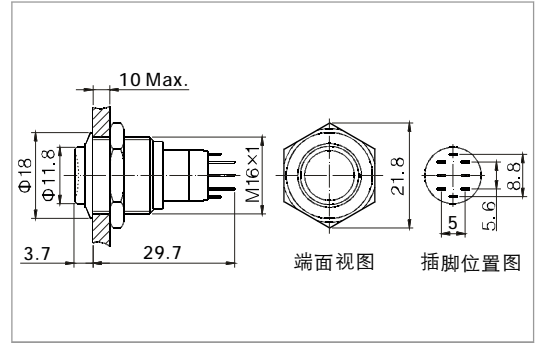
- ⊙ Φ 16mm Diameter
- ⊙ Switch Rating: 3A/250VAC
- ⊙ Contact Configuration: 1NO1NC/2NO2NC
- ⊙ Operation Type: Momentary/Latching
- ⊙ The Front Shape: Concave Round
- ⊙ The Crust Material: Stainless Steel/ Nickel Plated Brass
- ⊙ IP Degree: IP67, IK10



## Anti-vandal metal push button



- ⊙ Φ 16mm Diameter
- ⊙ Switch Rating: 3A/250VAC
- ⊙ Contact Configuration: 1NO1NC/2NO2NC
- ⊙ Operation Type: Momentary/Latching
- ⊙ The Front Shape: High Concave Round
- ⊙ The Crust Material: Stainless Steel/ Nickel Plated Brass
- ⊙ IP Degree: IP67, IK09
- ⊙ Head Color: R/G/Y/O/B/W/N



Specification	LAS2GQC-□■/◎/☆	LAS2GQG-□■/△/◎/☆
The Front Shape	Concave Round	High Concave Round
Terminal Type	Pin Terminal(1.8×0.4mm)	Pin Terminal(1.8×0.4mm)
Switching	C(single-break fast-motion changeover contact)	C(single-break fast-motion changeover contact)
Max. Switch Rating	Ith:3A Ui:250VAC	Ith:3A Ui:250VAC
Contact Resistance	≤50mΩ	≤50mΩ
Insulation Resistance	≥1000MΩ	≥1000MΩ
Dielectric Intensity	2000VAC	2000VAC
Operating Temp	-20℃ ~ +55℃	-20℃ ~ +55℃
Mechanical Life	200,000 cycles	200,000 cycles
Electrical Life	50,000 cycles	50,000 cycles
Panel Thickness	1 ~ 10mm	1 ~ 10mm
Torque	5 ~ 14Nm	5 ~ 14Nm
Operation Pressure	2.5~4N	2.5~4N
Operation Travel	About 2.8mm	About 2.8mm
IP Degree	IP40/IP67,IK10	IP40/IP67,IK09
Head Color	Machine brushed	R G Y O B W N
Material	Contact	Silver Alloy
	Button	Stainless Steel/Nickel Plated Brass
	Body	Stainless Steel/Nickel Plated Brass
	Base	PBT
	RoHS	Made to order
		Made to order