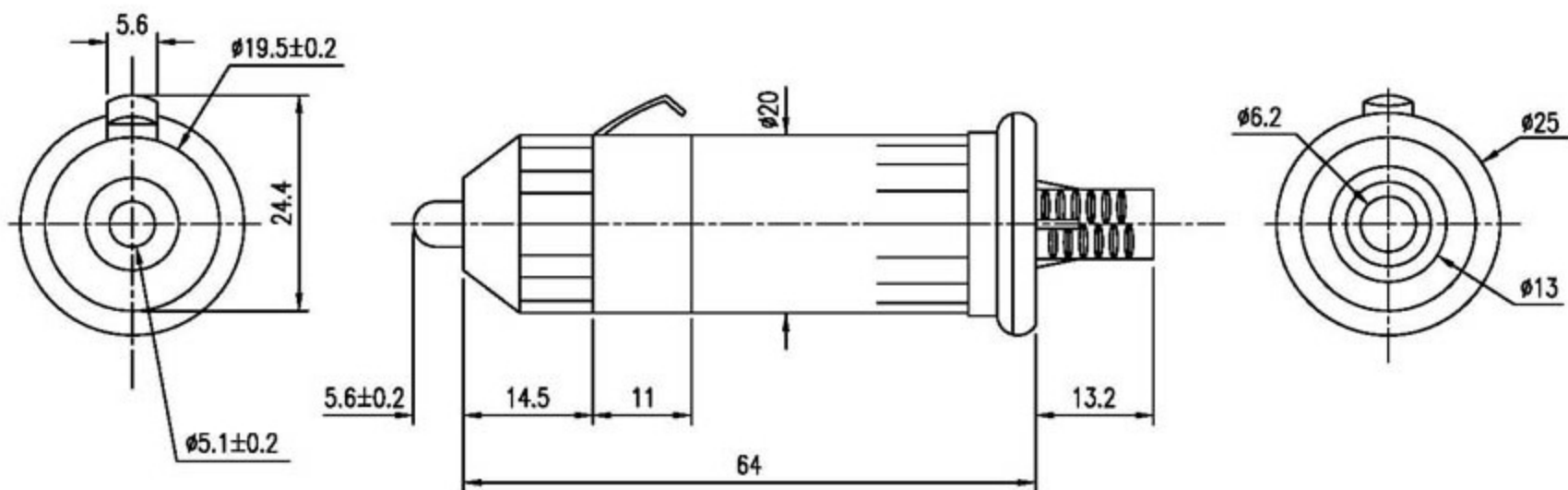


FUSE: 6.3x30 (2A)



UNLESS OTHERWISE SPECIFIED  
GENERAL TOLERANCES

0.5~6 =  $\pm 0.2$   
>6~30 =  $\pm 0.4$   
>30~120 =  $\pm 0.6$

NO.	DESCRIPTION	QTY	MATERIAL	SPECIFICATION	REMARK		
DRAW BY	CHUN	120209	SCALE	1 : 1.5	PROJ		
DEGN BY	YANG		UNIT	MM		ITEM NO.	1516
APPD BY	RAY					TITLE	CIGARETTE PLUG
						DWG NO.	1516-TNS71-A1

DATE	DRAWG BY	REVISED	
			$\Delta$