

LAS2GQ Series

Part-number Description >>

LAS2	GQ	★	—	□	■	◇	/	△	/	▲	/	◎	/	☆
Code of series	Code name	The front shape	Contact structure:	Operation mode:	Lamp type	Lamp color and colorized button	Lamp voltage:	The crust material:	IP degree					
		F Flat Round H High Round C Concave Round G High Concave Round	11 1NO1NC 22 2NO2NC	Z Latching type No letter means momentary	D Dot E Ring	R Red G Green Y Yellow O Orange B Blue W White	AC/DC 6V AC/DC 12V AC/DC 24V AC/DC 110V AC/DC 220V Note: Other voltage can be made to order	N Nickel-plated Brass S Stainless steel	FP IP67 No letter means IP40 Pls check the detailed IP degree from P37					

Note: Pls read the catalog carefully, and choose the right part-number according to the sign.

Lamp Ratings >>

Lamp Type	LED lamp(AC/DC)			Lamp Circuit Diagram
LED Color	R G Y O B W			
Life	40000 hours(Reference)			
Rated Voltage	AC/DC6V	AC/DC12V	AC/DC110V	
	AC/DC24V	AC/DC36V	AC/DC220V	
Rated Current	About 15mA		About 3mA	
Dropping Way	Inner resistance		Outer resistance when using 6V lamp	

- ⊙ Using AC/DC LED lamp, the terminals have no difference of anode and cathode:
- ⊙ Using inner resistance for the lamp below 60V. Using 6V lamp when the lamp voltage is above 60V, and need connect **outer** dropping resistance.

Note: DC LED and other voltage can be made to order.

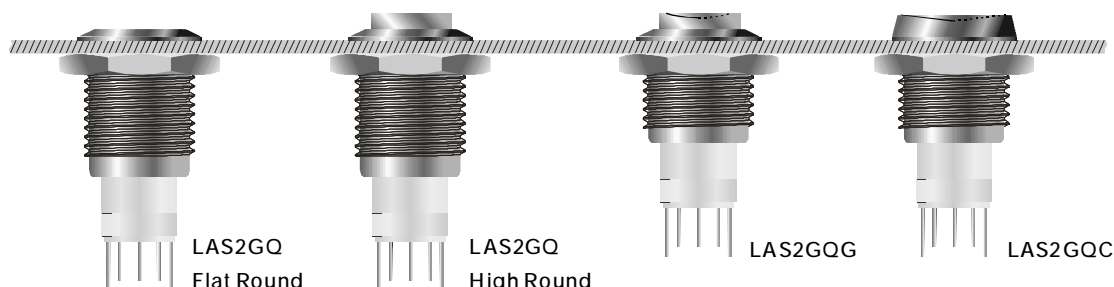
Switching Operation >>

TYPE	C
Diagram	
Sign	
Explanation	Using three terminals, single-break and fast-motion changeover contact.

Terminal Description >>

Can use two sets at most .
 C1,NO1,NC1 and C2,NO2,NC2 are one set respectively.
 C is common used, NO is normal opened, NC is normal closed;
 +, - are lamp terminals, the standard LED have no difference of anode and cathode;
 The lamp and switch are relatively independent and can use switch or peripheral circuit to control the lamp state.

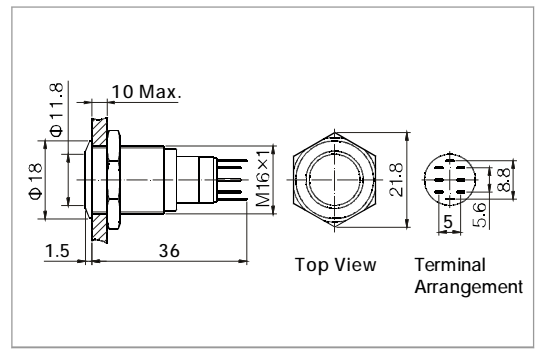
Installation Effect >>



Metal push button



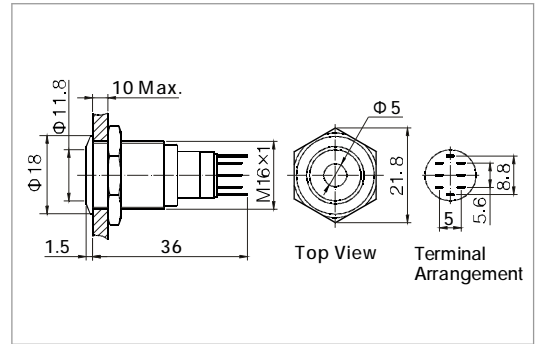
- ⊙ Φ 16mm Diameter
- ⊙ Switch Rating: 3A/250VAC
- ⊙ Contact Configuration: 1NO1NC/2NO2NC
- ⊙ Operation Type: Momentary/Latching
- ⊙ The Front Shape: Flat Round
- ⊙ The Crust Material: Stainless Steel/ Nickel Plated Brass
- ⊙ IP Degree: IP40/IP67, IK09



Metal dot illuminated push button



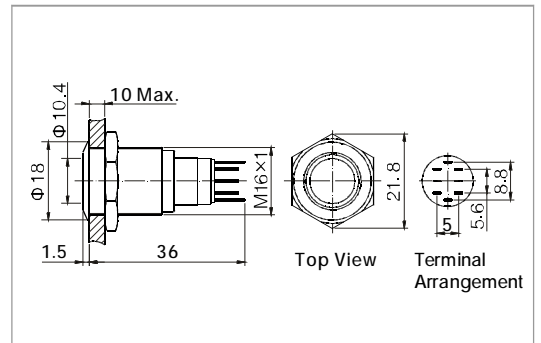
- ⊙ Φ 16mm Diameter
- ⊙ Switch Rating: 3A/250VAC
- ⊙ Contact Configuration: 1NO1NC/2NO2NC
- ⊙ Operation Type: Momentary/Latching
- ⊙ The Front Shape: Flat Round
- ⊙ The Crust Material: Stainless Steel/ Nickel Plated Brass
- ⊙ Dot Illuminated
- ⊙ IP Degree: IP40/IP67, IK09



Metal ring illuminated push button



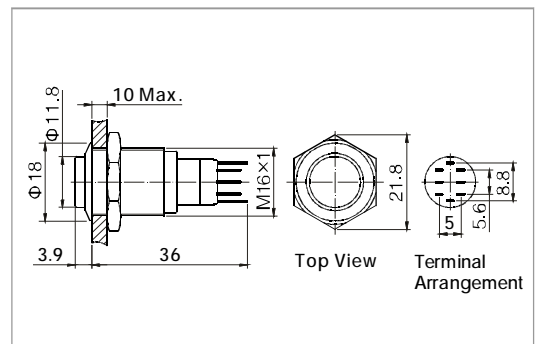
- ⊙ Φ 16mm Diameter
- ⊙ Switch Rating: 3A/250VAC
- ⊙ Contact Configuration: 1NO1NC/2NO2NC
- ⊙ Operation Type: Momentary/Latching
- ⊙ The Front Shape: Flat Round
- ⊙ The Crust Material: Stainless Steel/ Nickel Plated Brass
- ⊙ Ring Illuminated
- ⊙ IP Degree: IP40/IP67, IK09



Metal push button



- ⊙ Φ 16mm Diameter
- ⊙ Switch Rating: 3A/250VAC
- ⊙ Contact Configuration: 1NO1NC/2NO2NC
- ⊙ Operation Type: Momentary/Latching
- ⊙ The Front Shape: High Round
- ⊙ The Crust Material: Stainless Steel/ Nickel Plated Brass
- ⊙ IP Degree: IP40/IP67, IK09



Metal dot illuminated push button



- ⊙ Φ 16mm Diameter
- ⊙ Switch Rating: 3A/250VAC
- ⊙ Contact Configuration: 1NO1NC/2NO2NC
- ⊙ Operation Type: Momentary/Latching
- ⊙ The Front Shape: High Round
- ⊙ The Crust Material: Stainless Steel/ Nickel Plated Brass
- ⊙ Dot Illuminated
- ⊙ IP Degree: IP40/IP67, IK09

