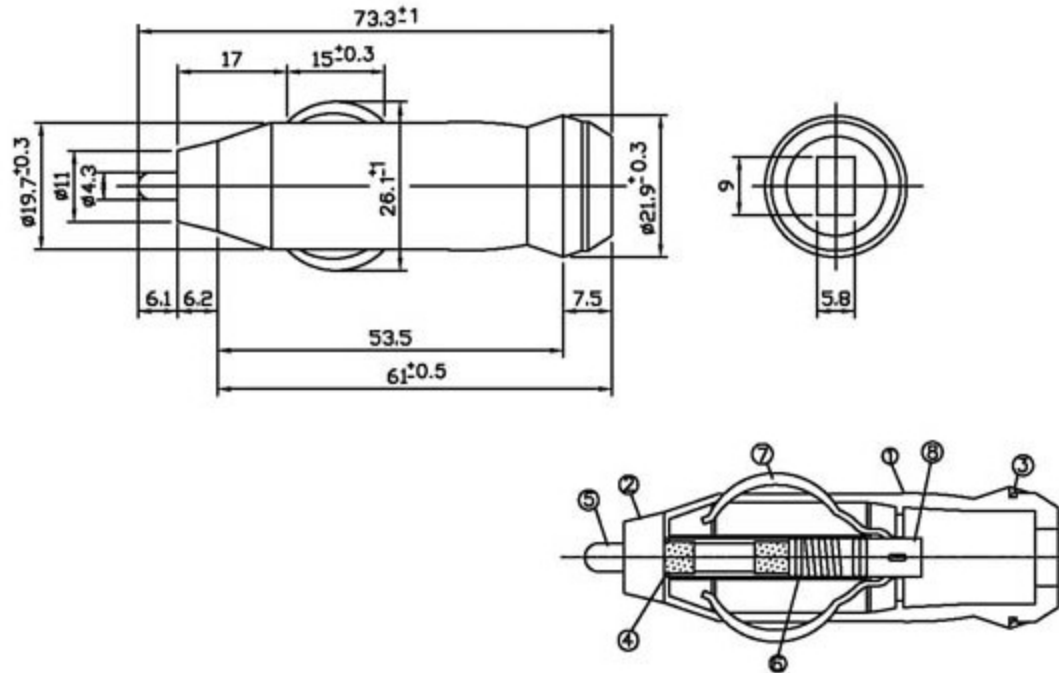


# 毅永企業有限公司 E-YUNG ENTERPRISE CO., LTD.



UNLESS OTHERWISE SPECIFIED  
GENERAL TOLERANCES

0.5~6 =  $\pm 0.2$   
>6~30 =  $\pm 0.4$   
>30~120 =  $\pm 0.6$

8	(+) TERMINAL		BRASS, NI. PLTD. THICK=0.5mm				
7	(-) TERMINAL		STEEL LINE, NI. PLTD.				
6	SPRING		STEEL LINE, LINE O.D.= $\phi 0.6$ mm				
5	TIP CONTACT		BRASS, NI, PLTD				
4	FUSE		$\phi 5 \times 20$ mm				
3	RING		NYLON 6 (BLACK)				
2	NOSE CAP		BRASS, NI, PLTD				
1	BODY		ABS (BLACK)				
NO.	DESCRIPTION	QTY	MATERIAL	SPECIFICATION	REMARK		
DRAW BY	周佩君	082407	SCALE	1 : 1		ITEM NO.	1493
DEGN BY			UNIT	MM		TITLE	CIGARETTE PLUGS
APPD BY						DRAWING NO.	1493-TNS71-A
DATE	DRAWG BY	REVISED					