

HOW TO ORDER

1480 [A] [P] - [3A] [O] - SR5

MATERIAL	RATING
A	ABS <10A
N	N66+GLASSFIBER ≥10A

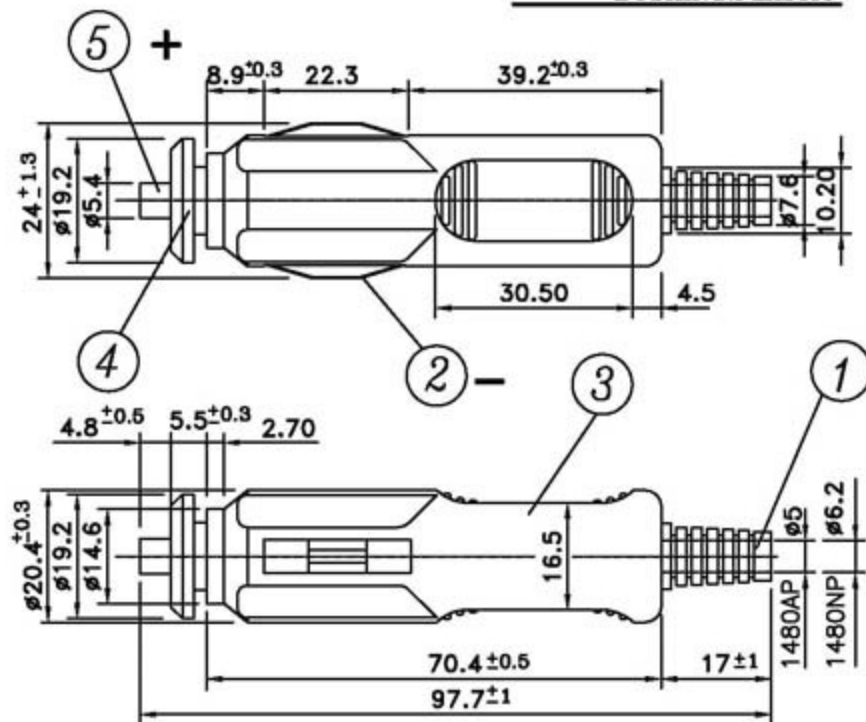
BUSHING
B BRASS
P PLASTIC

FUSE
O NONE
3A 3A
5A 5A
10A 10A
15A 15A
S6A SLOW BLOW 6A

LED
O NONE-LED

SR HOLE
SR5 $\phi 5$
SR6.2 $\phi 6.2$
O NONE SR

1480AP:WITHOUT LED
BUSHING:PLASTIC



NOTE:

1.1480AP:ABS
2.1480NP:N66+GLASSFIBER

5	SHAFT	1	BRASS		1481M-H
4	BUSHING	1	N66+GLASSFIBER		1481M-K
3	HOUSING	2	1480AP:ABS 1480NP:N66+GLASSFIBER		1481M-A,B
2	CONTACT	1	PBSP C5191		1481M-D
1	SR	1	PVC		1481M-C-SR5
NO.	DESCRIPTION	QTY	MATERIAL	SPECIFICATION	REMARK
DRAW BY	CHUN	081610	SCALE	1 : 1	ITEM NO. 1480AP
DEGN BY	YANG		UNIT	MM	TITLE CIGARETTE PLUGS
APPD BY	RAY		PROJ		DRAWING NO. 1480AP-TN00-A
DATE	DRAWG BY	REVISED			