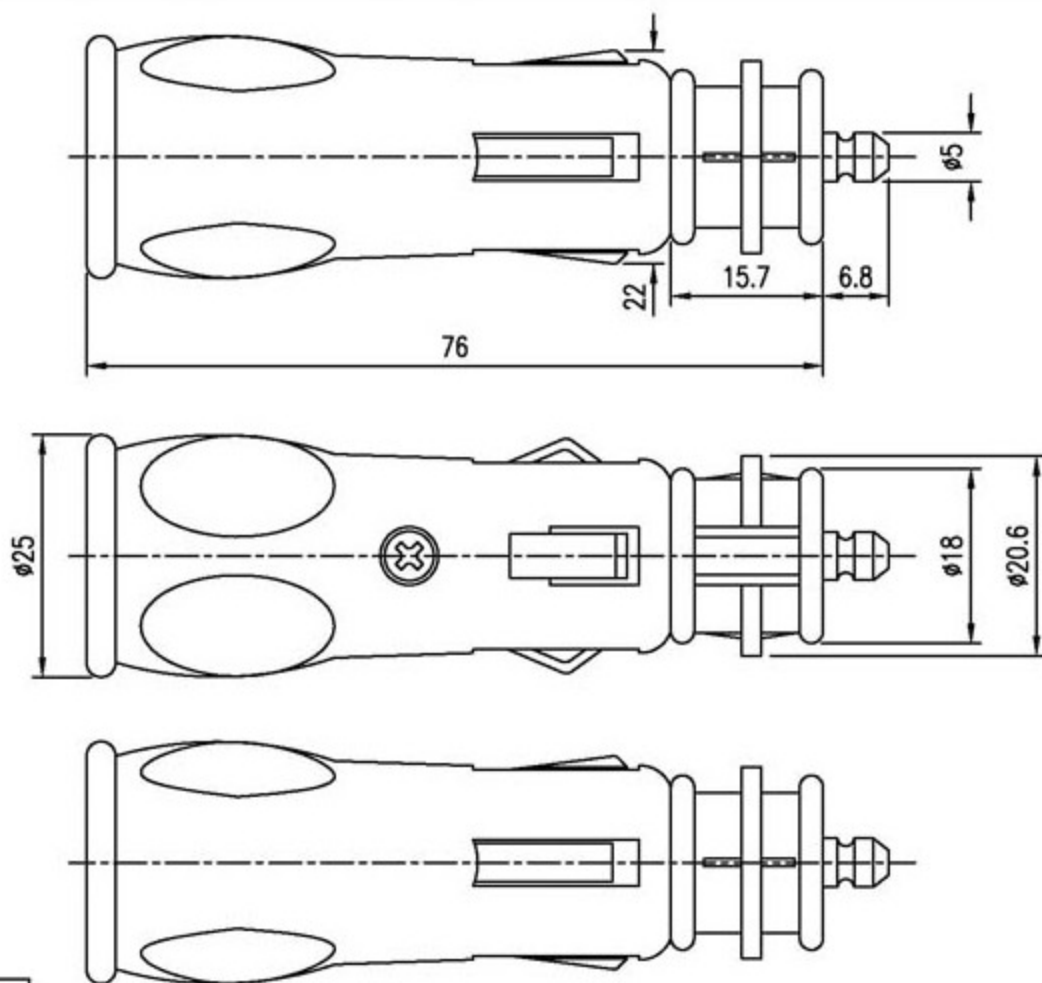
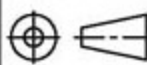


毅永企業有限公司 E-YUNG ENTERPRISE CO., LTD.



UNLESS OTHERWISE SPECIFIED
GENERAL TOLERANCES

0.5~6 = ± 0.2
 >6~30 = ± 0.4
 >30~120 = ± 0.6

NO.	DESCRIPTION	QTY	MATERIAL	SPECIFICATION	REMARK
DRAW BY	周耀君 062408	SCALE	1 : 1.5	PROJ 	ITEM NO. 1469
DEGN BY		UNIT	MM		TITLE CIGARETTE PLUG
APPD BY					DRAWING NO. 1469-TN18-A

DATE	DRAWG BY	REVISED	Δ
------	----------	---------	----------