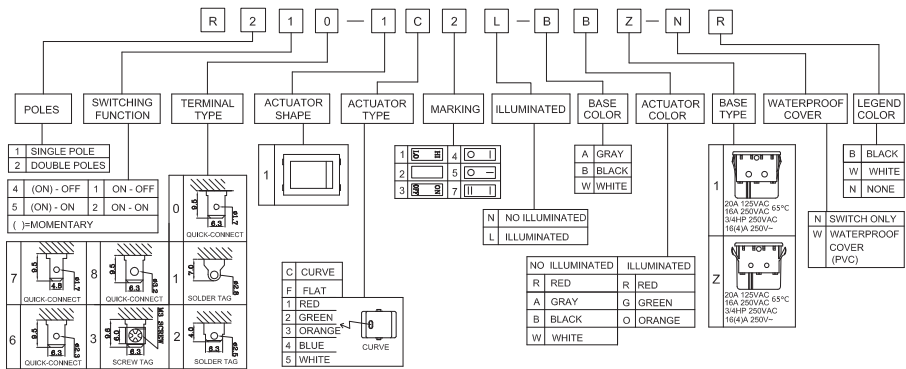
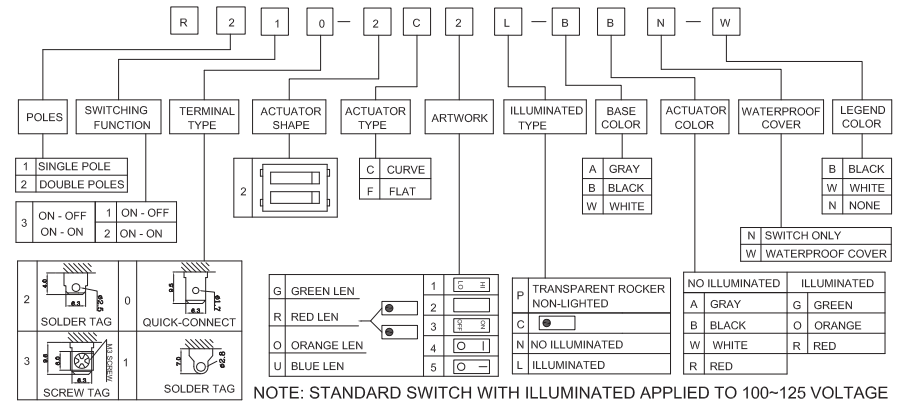


## R-1 STANDARD

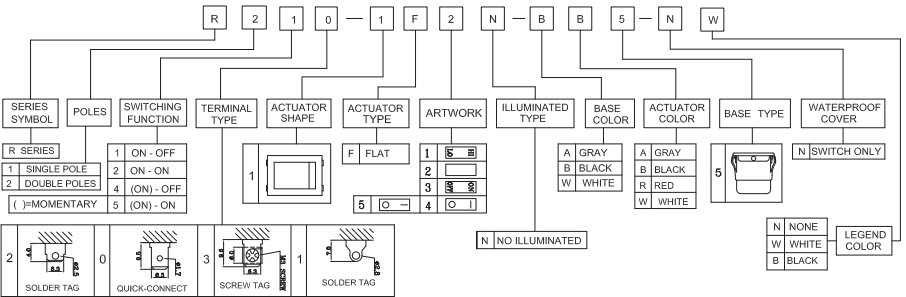


## R-2 TWIN ACTUATOR TYPE



NOTE: STANDARD SWITCH WITH ILLUMINATED APPLIED TO 100-125 VOLTAGE

## R-4 22\*28 TYPE



## R-5 ROUND ACTUATOR TYPE

