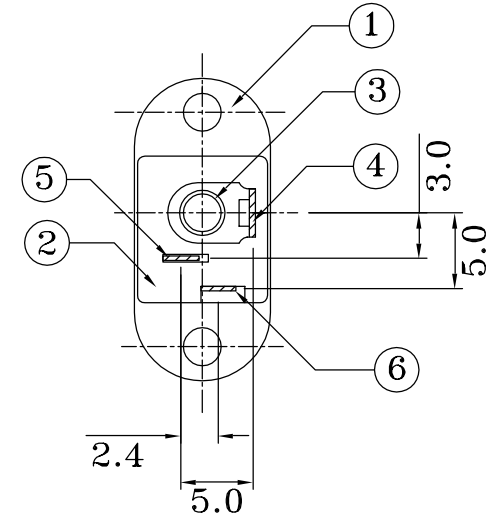
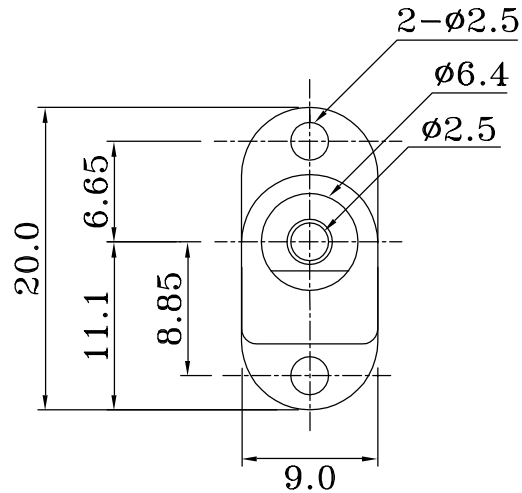
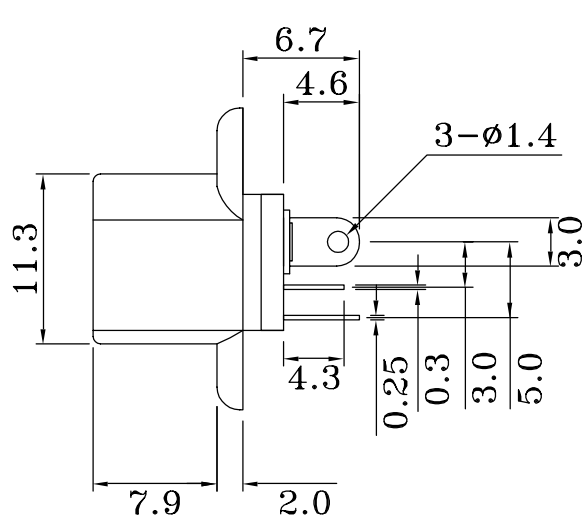
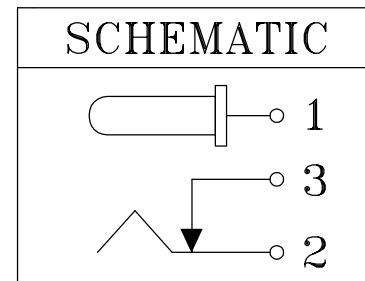


REV	ZONE	REVISION	DATE



NO.	NAME	MATERIAL	FINISH	Q'TY
1	HOUSING	P.B.T.	BLACK	1
2	COVER	BAKELITE		1
3	CENTER PIN $\phi 2.5$	COPPER	NICKEL PLATED	1
4	PIN TERM.	BRASS 0.4THK	TIN PLATED	1
5	BERAK TERM.	BRASS	TIN PLATED	1
6	BERAK TERM.	PHOS. BRONZE	TIN PLATED	1



E-YUNG E-YUNG ENTERPRISE CO., LTD.			COMPUTER NO.		UNIT	SCALE	PART NAME		
			D:\NEW\KD-015A		mm	2:1	DC POWER JACK		
MODEL KD-015A PAGE 1 OF 1			APPD.	CKD.	DWG.	DATE	TOLERANCE	PART NO.	REV.
					TINA	4-10-00	±0.3		A