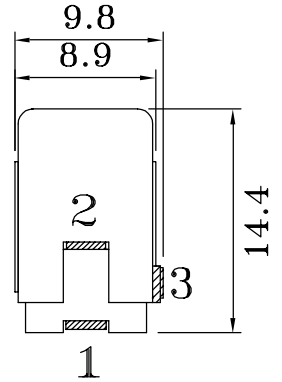
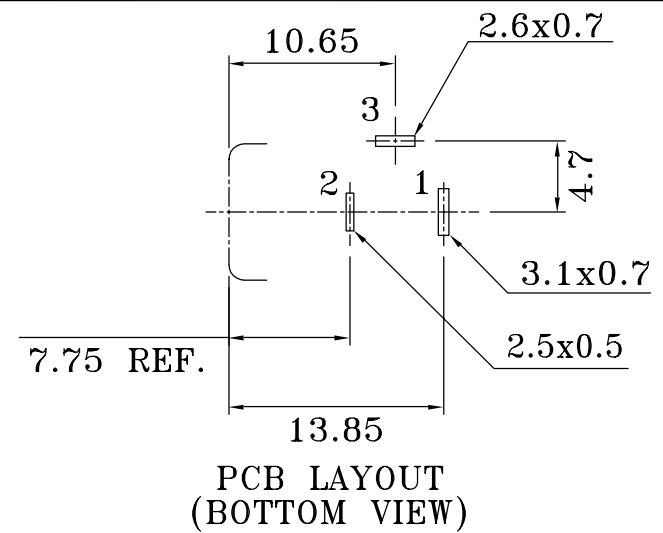
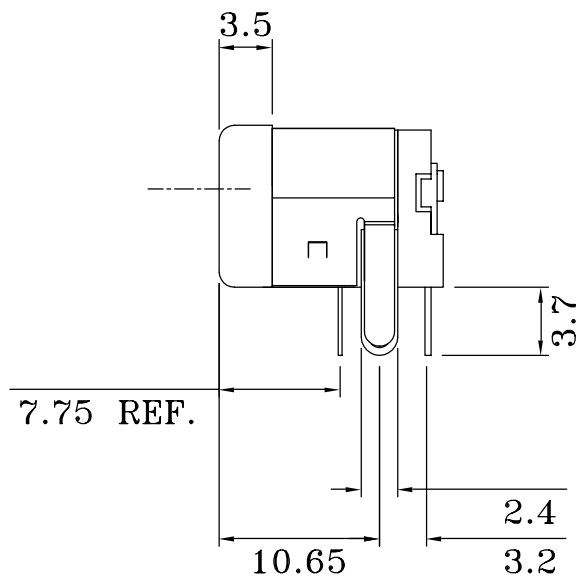
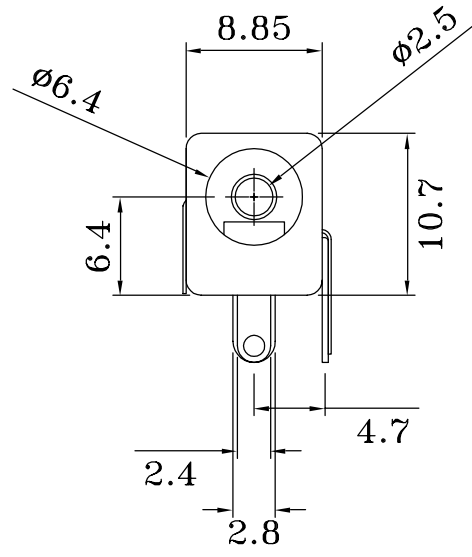
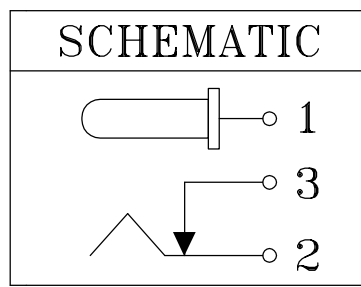


REV	ZONE	REVISION	DATE



TERMINAL NUMBERS



NO.	NAME	MATERIAL	FINISH
1	PIN TERMINAL	BRASS 0.4THK	TIN PLATED
2	SLEEVE TERMINAL	PBS 0.25THK	TIN PLATED
3	BREAK TERMINAL	BRASS 0.4THK	TIN PLATED
4	HOUSING	P.B.T.	BLACK
5	CENTER PIN	BRASS $\phi 2.5$	NICKEL PLATED
6	SHIELD SPERING	BRASS 0.2THK	NICKEL PLATED



E-YUNG ENTERPRISE CO., LTD.

COMPUTER NO.			UNIT	SCALE	PART NAME	
D:\DWG\KD-014SA			mm	2:1	DC POWER JACK	
APPD.	CKD.	DWG.	DATE	TOLERANCE	PART NO.	REV.
		TINA	10-12-02	$\pm 0.3$		A

MODEL KD-014SA PAGE 1 0 1