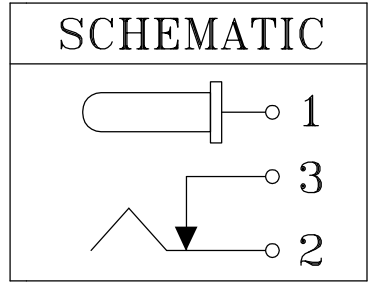
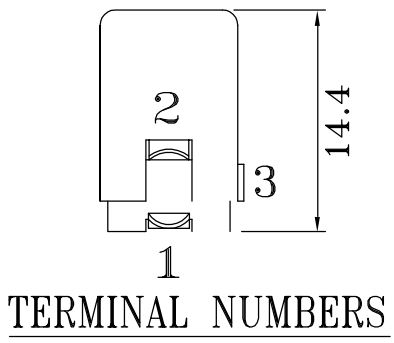
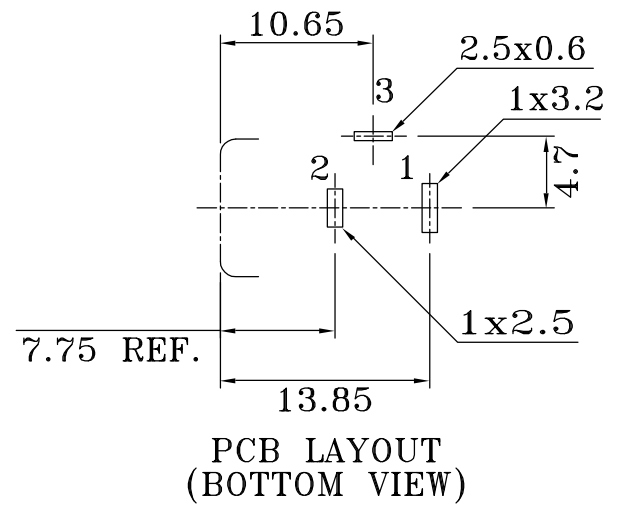
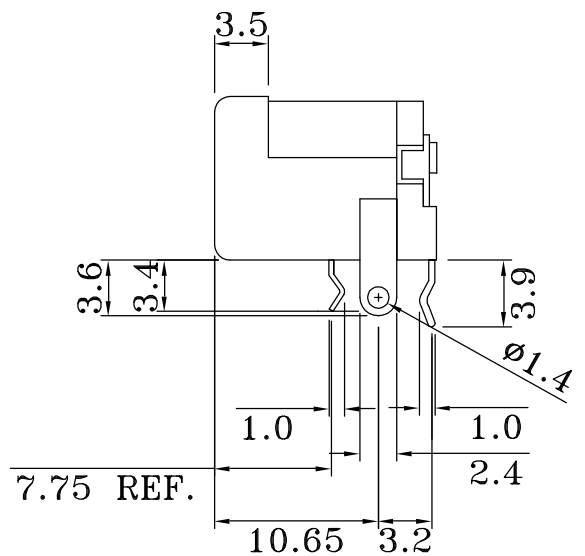
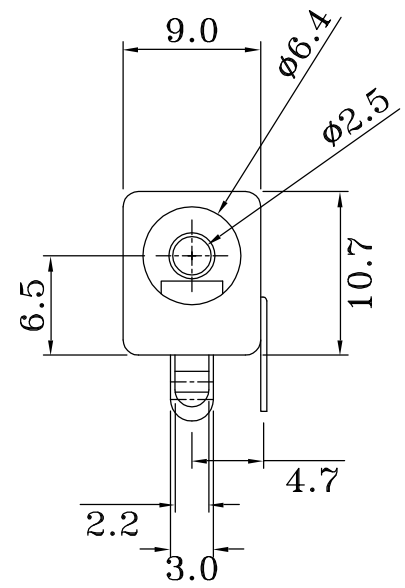


1 2 3 4 5 6 7 8

REV	ZONE	REVISION	DATE

A  
B  
C  
D  
E  
F  
G  
H

A  
B  
C  
D  
E  
F  
G  
H



NO.	NAME	MATERIAL	FINISH
1	PIN TERMINAL	BRASS 0.4THK	TIN PLATED
2	SLEEVE TERMINAL	PBS 0.25THK	TIN PLATED
3	BREAK TERMINAL	BRASS 0.4THK	TIN PLATED
4	HOUSING	P.B.T.	BLACK
5	CENTER PIN	BRASS $\phi$ 2.5	NICKEL PLATED

 <b>E-YUNG ENTERPRISE CO., LTD.</b>			COMPUTER NO.		UNIT	SCALE	PART NAME		
			D:\DWG\KD-014KA		mm	2:1	DC POWER JACK		
MODEL	KD-014KA	PAGE 1 OF 1	APPD.	CKD.	DWG.	DATE	TOLERANCE	PART NO.	REV.
					TINA	11-9-01	$\pm$ 0.3		A

1 2 3 4 5 6 7 8