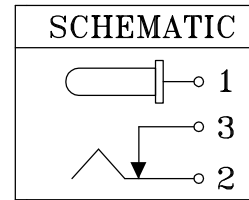
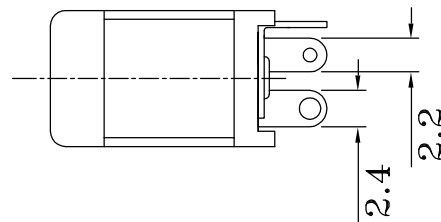
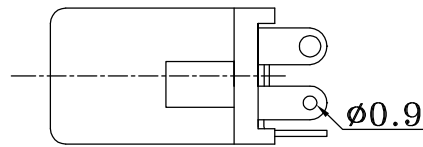
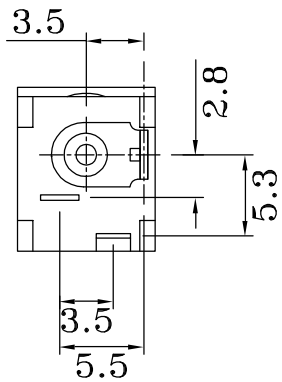
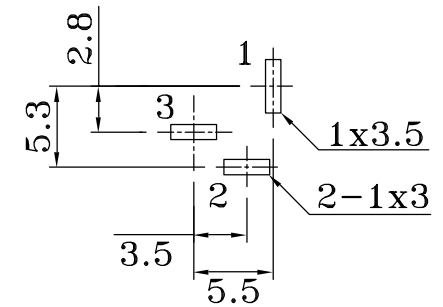
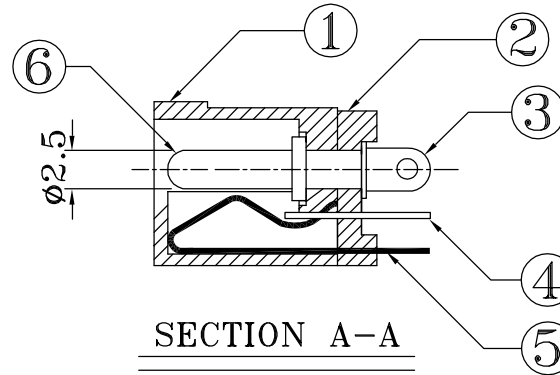
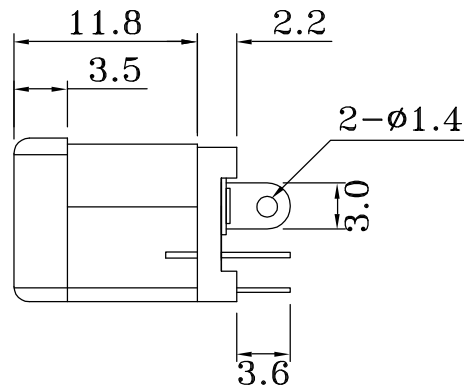
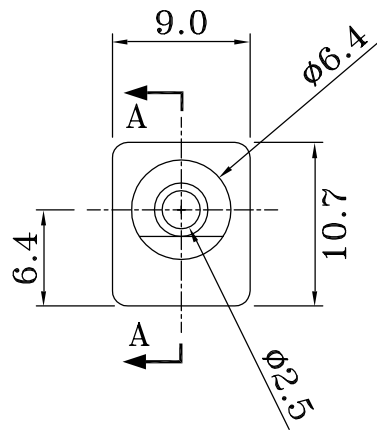


REV	ZONE	REVISION	DATE



NO.	NAME	MATERIAL	FINISH	Q'TY
1	HOUSING	P.B.T.	BLACK	1
2	COVER	P.B.T.	BLACK	1
3	PIN TERM.	BRASS 0.4THK	TIN PLATED	1
4	BREAK TERM.	BRASS 0.3THK	TIN PLATED	1
5	BREAK TERM.	PHOS. BRONZE T:0.25	TIN PLATED	1
6	CENTER PIN $\phi 2.5$	COPPER ALLOY	TIN PLATED	1



E-YUNG ENTERPRISE CO., LTD.

COMPUTER NO. UNIT SCALE PART NAME

D:\DWG\KD-013DA mm 2:1 DC POWER JACK

APPD. CKD. DWG. DATE TOLERANCE PART NO. REV.

MODEL KD-013DA PAGE 1 OF 1 TINA 15-11-01  $\pm 0.3$  A