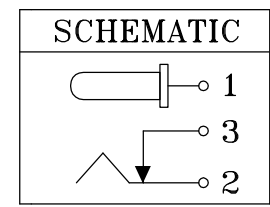
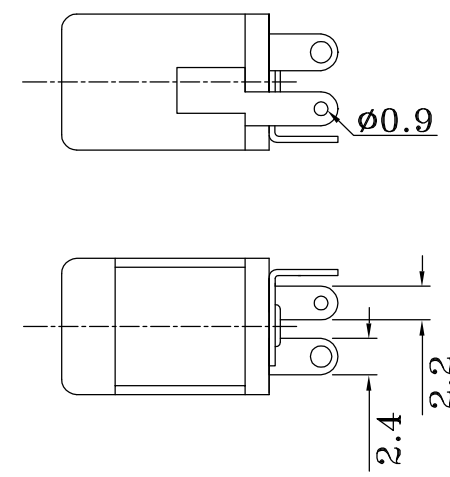
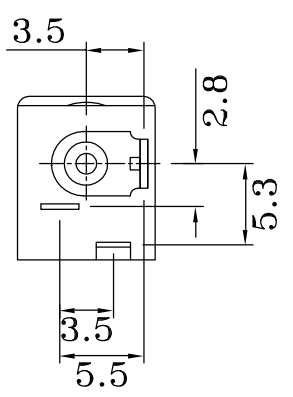
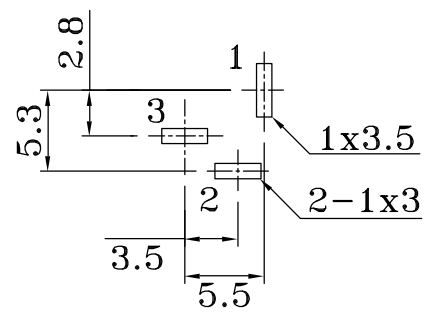
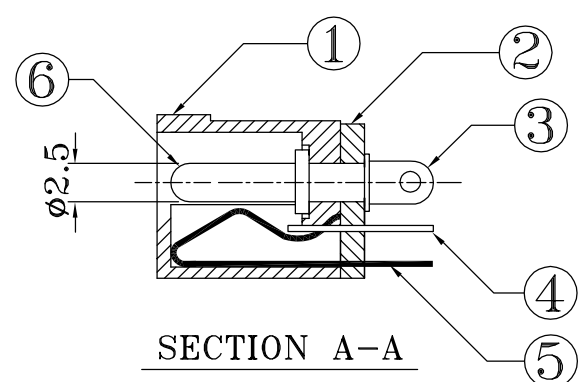
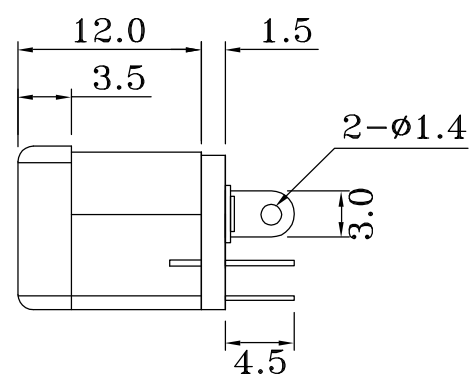
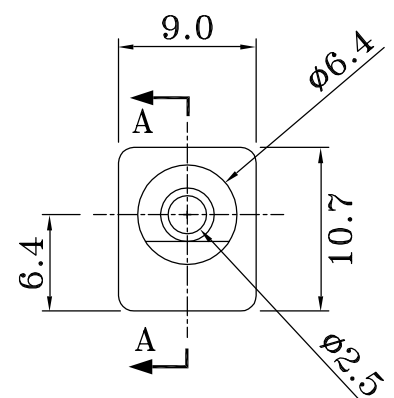


REV	ZONE	REVISION	DATE



NO.	NAME	MATERIAL	FINISH	Q'TY
1	HOUSING	P.B.T.	BLACK	1
2	COVER	BAKELITE	BLACK	1
3	PIN TERM.	BRASS 0.4THK	TIN PLATED	1
4	BREAK TERM.	BRASS 0.3THK	TIN PLATED	1
5	BREAK TERM.	PHOS. BRONZE T:0.25	TIN PLATED	1
6	CENTER PIN $\phi 2.5$	COPPER ALLOY	NICKEL PLATED	1



E-YUNG ENTERPRISE CO., LTD.

MODEL KD-013A PAGE 1 OF 1

COMPUTER NO.			UNIT	SCALE	PART NAME		
D:\DWG\KD-013A			mm	2:1	DC POWER JACK		
APPD.	CKD.	DWG.	DATE	TOLERANCE	PART NO.		REV.
		TINA	15-11-01	$\pm 0.3$			A