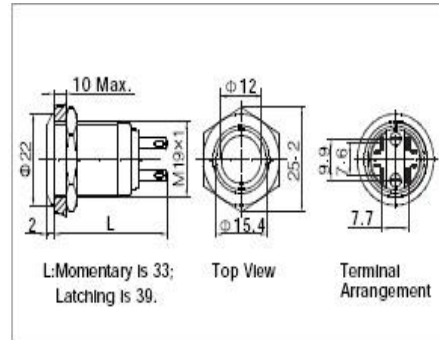


### Anti-vandal ring illuminated push button



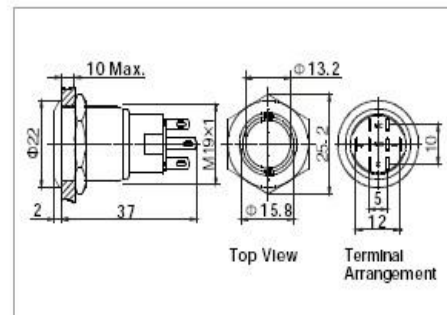
- ⊙ Φ 19mm Diameter
- ⊙ Switch Rating: 5A/250VAC
- ⊙ Contact Configuration: 1NO1NC
- ⊙ Operation Type: Momentary/Latching
- ⊙ The Crust Material: Stainless Steel
- ⊙ Ring Illuminated
- ⊙ IP Degree: IP65(IP67 Made to order), IK09



### Metal ring illuminated push button



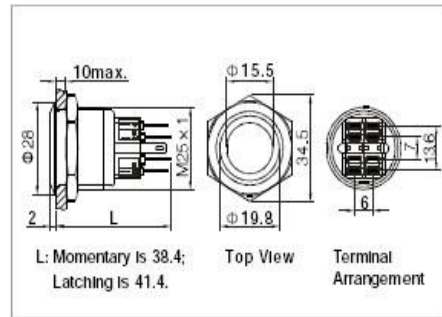
- ⊙ Φ 19mm Diameter
- ⊙ Switch Rating: 5A/250VAC
- ⊙ Contact Configuration: 1NO1NC/2NO2NC
- ⊙ Operation Type: Momentary/Latching
- ⊙ The Crust Material: Stainless Steel
- ⊙ Ring Illuminated
- ⊙ IP Degree: IP67, IK08



### Anti-vandal ring illuminated push button



- ⊙ Φ 25mm Diameter
- ⊙ Switch Rating: 5A/250VAC
- ⊙ Contact Configuration: 1NO1NC/2NO2NC
- ⊙ Operation Type: Momentary/Latching
- ⊙ The Crust Material: Stainless Steel
- ⊙ Ring Illuminated
- ⊙ IP Degree: IP65, IK10



### Switching Operation >>

Type	Za
Diagram	
Sign	
Explanation	Using four terminals, double-break and fast-motion changeover contact (except GQ22-WE)

### Terminal Description >>

LAS1-BGQ, LAS1-BGQ30	(LAS1-B)GQ22	(LAS1-B)GQ25
1,2,3,4 are one set; 1,2 are normal closed(NC); 3,4 are normal opened(NO). The standard LED terminals have no difference of anode and cathode. The lamp and switch are relatively independent and can use switch or peripheral circuit to control the lamp state.		