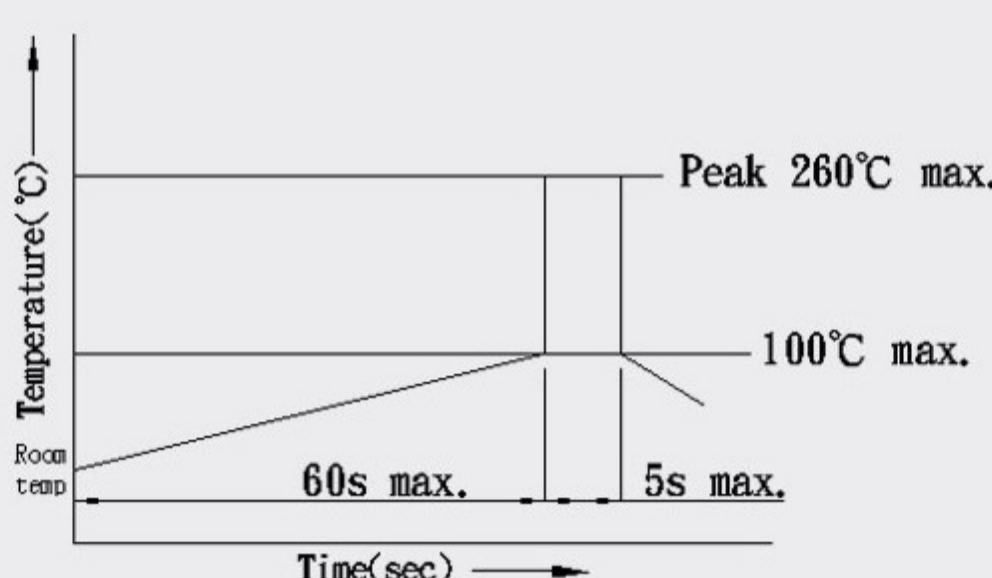


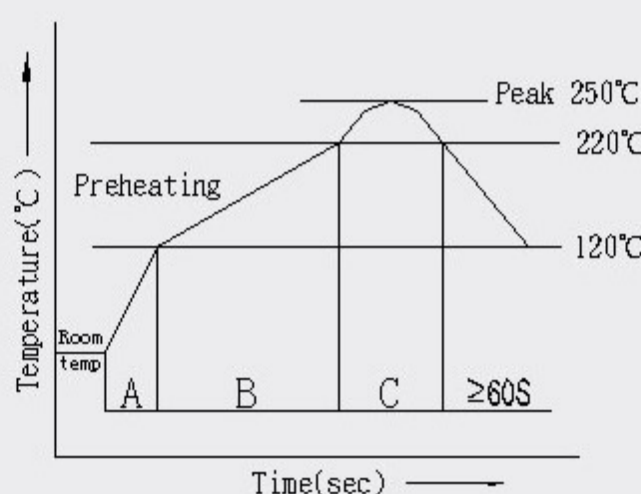
SPECIFICATION

Contact Rating: 50 mA @ 12VDC;
 Electrical life: 1,000,000 cycles
 Mechanical life: 1,000,000 cycles min ;
 Position Travel: 0.25 ± 0.1
 Insulation Resistance : > 100M Ω DC250V ;
 Withstand Voltage: AC250V 1 minute ;
 Contact Resistance: < 100m Ω ;
 Ambient Temper.: -25 °C to 70 °C ;
 Operating Force: 80 ± 20 gf ; 120 ± 30 gf ; 180 ± 50 gf ;
 Soldering Process: Hand soldering : Use a soldering iron of 30 watts, controlled at 380 °C approximately 3 seconds while applying solder.
 Wave soldering: When applying wave soldering, the peak temperature of the wave Oven should be set to 260 °C max. Condition for soldering (Wave & Non-washable Type) Temperature Profile: (Figure 1)
 Reflow soldering: When applying reflow soldering, the peak temperature of the reflow Oven should be set to 250 °C max. Condition for soldering (Reflow & Non-washable Type) Temperature Profile: (Figure 2)



Items	Condition
Preheating temperature	Ambient temperature of the soldered surface of PC board. 100°C max.
Preheating time	60s max.
Soldering temperature	260°C max.
Continuous dipping time	5s max.
Number of soldering	2 times max.

Wave soldering (Figure 1)



	Components size		Unit
A	Temp. rise gradient	40S	sec
B	Heating time	60-120S	sec
	Heating temperature	120-220°C	°C
C	Time over 220°C	60-90S	sec
	Peak temperature	250	°C
	Peak-temp. hold time	moment	sec
Soldering		1	times

Reflow soldering (Figure 2)

HOW TO ORDER

HOW TO ORDER

Series: TSE1

Actuator Button: 01= 01 Type
02=02 Type

Terminal type: P= PCB terminal

Operating Force: 80=80±20 (gf)
120=120±30 (gf)
180=180±50 (gf)

LED colour: None=no LED
R=red, G=green
B=blue, Y=yellow
W=white

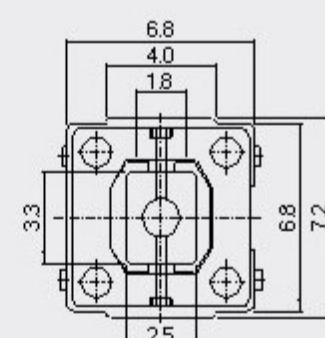
EXAMPLE: TSE1-01P-80; TSE1-02P-80.

DIMENSION DRAWING

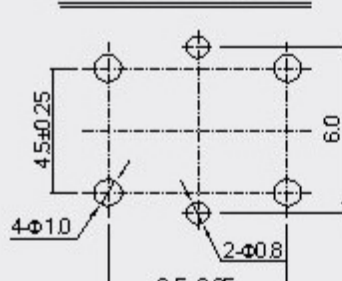
◎ TSE1-01P (mm)



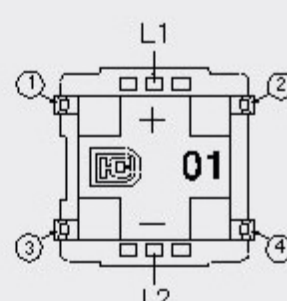
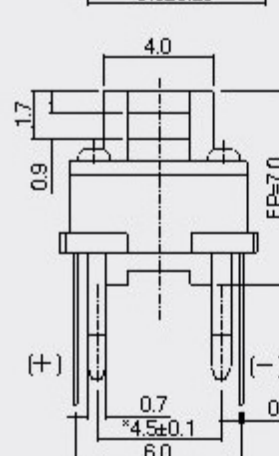
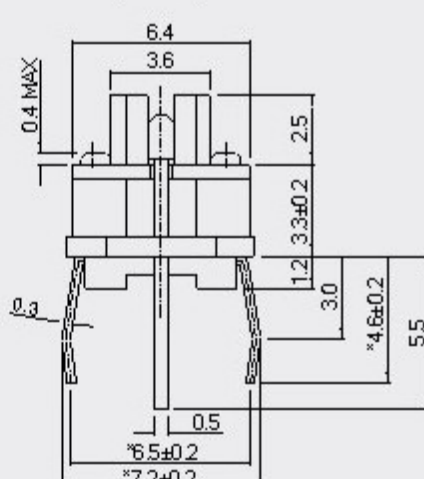
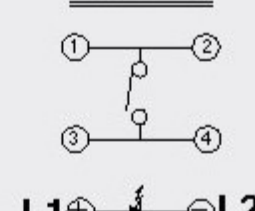
TSE1-01P



PATTERN DIMENSTONS



SCHEMATIC



LED Specifications:

Model NO.	OF(gf)	remark	LED Specifications:	
			Color	VF
TSE1-01P-80*	80±20	***mean LED colour	Red	1.7V 2.4V
TSE1-01P-120*	120±30		Green	1.9V 2.4V
TSE1-01P-180*	180±50		Yellow	1.9V 2.4V
			Blue	3.0V 3.6V
			White	3.0V 3.6V