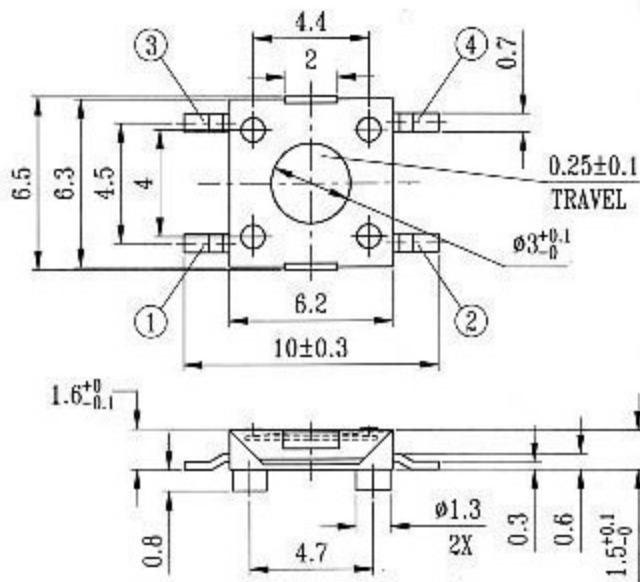


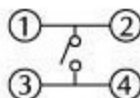
TD-01EA SERIES



MODEL NO.	Stem Length	Tape & Reel Option
TD-01EA	8mm	No
TD-01EB	10mm	Yes

CODE	OPERATING FORCE(gf)
T	100 ± 30
V	130 ± 30
X	160 ± 50
W	170 ± 50
Y	190 ± 50
Z	250 ± 100

CIRCUIT DIAGRAM



SPECIFICATIONS

1. RATING : DC 12V 50mA
2. TRAVEL : 0.25 ± 0.1 mm
3. CONTACT RESISTANCE 100 mΩ MAX