

## TC-3120 SERIES

MODEL NO. Stem Length(mm)

TC-3120 4.3

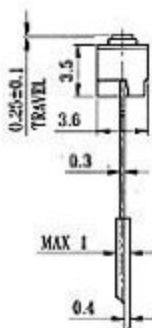
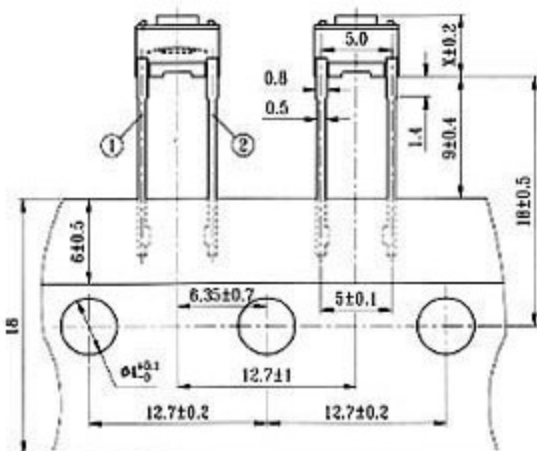
TC-3121 5

TC-3122 8

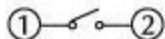
CODE OPERATING FORCE(gf)

Y 180 ± 50

Z 250 ± 50



### CIRCUIT DIAGRAM



### SPECIFICATIONS

1. RATING : DC 12V 50mA

2. TRAVEL : 0.25 ± 0.1mm

3. CONTACT RESISTANCE 100 mΩ MAX