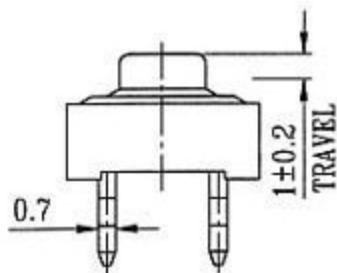
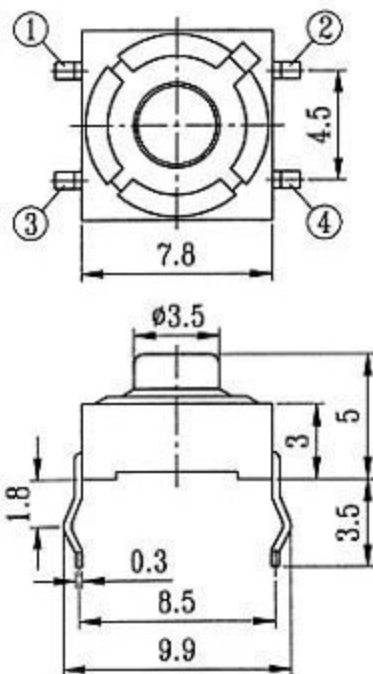
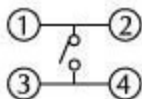


TC-17XA

(SOFT TOUCH)



CIRCUIT DIAGRAM



SPECIFICATIONS

1. RATING : DC 12V 50mA
2. TRAVEL : 1.0 ± 0.2 mm
3. CONTACT RESISTANCE 100 m Ω MAX
4. OPERATING FORCE: 120gf \pm 30gf