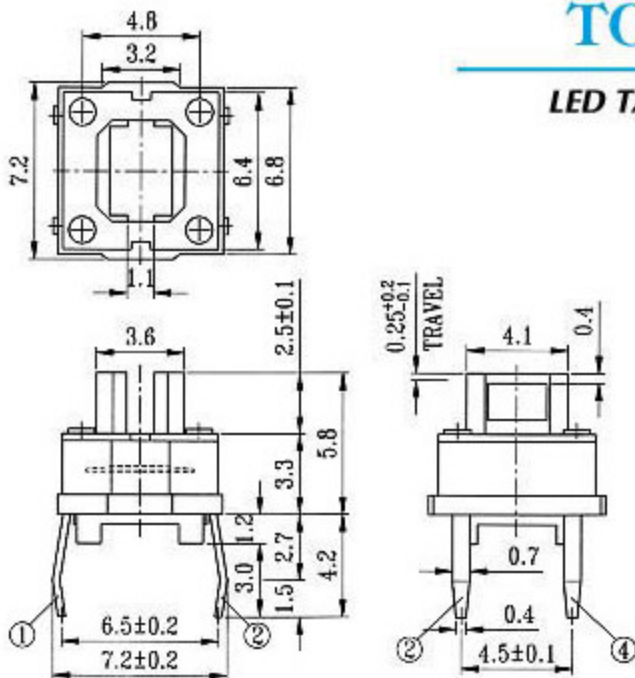
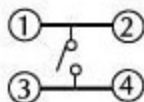


# TC-1194

## LED TACT SWITCH



### CIRCUIT DIAGRAM



### SPECIFICATIONS

1. RATING : DC 12V 50mA
2. TRAVEL : 0.25 + 0.2 - 0.1mm
3. CONTACT RESISTANCE 100 mΩ MAX
4. OPERATING FORCE: 160gf ± 50gf