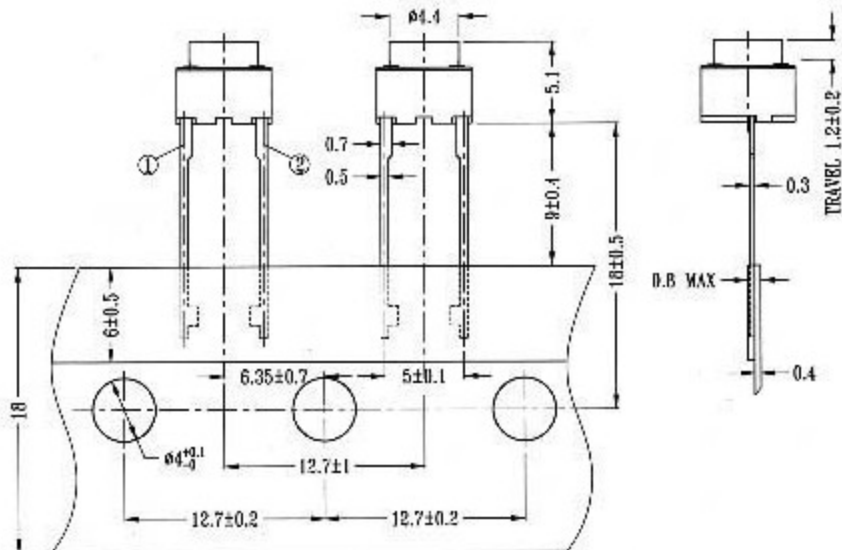
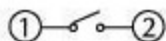


# TC-1131

(NO CLICK)



## CIRCUIT DIAGRAM



## SPECIFICATIONS

1. RATING : DC 12V 50mA
2. TRAVEL : 1.2 ± 0.2mm
3. CONTACT RESISTANCE 100mΩ MAX
4. OPERATING FORCE: 250gf ± 50gf