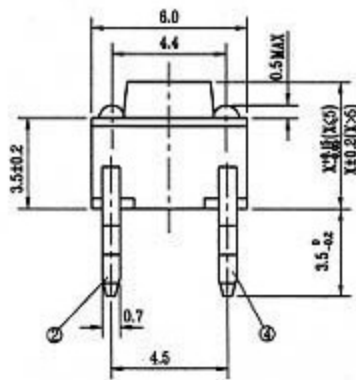
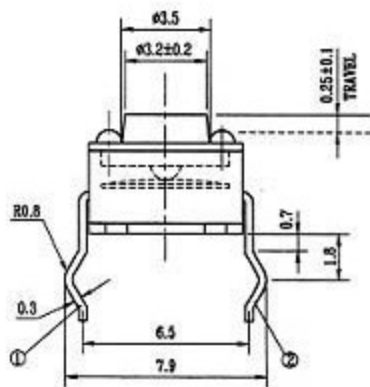


TC-0102 SERIES



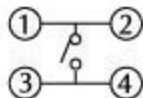
MODEL NO. Stem length(mm)

TC-0102	4.3
TC-0103	5
TC-0104	7
TC-0105	7.3
TC-0106	8
TC-0107	8.5
TC-0108	9.5
TC-0109	12.5
TC-A109	13.0
TC-0110	13.5
TC-0111	17

CODE OPERATING FORCE (gf)

T	100 ± 30
V	130 ± 30
X	160 ± 50
W	170 ± 50
Y	190 ± 50
Z	250 ± 100
N	350 ± 100

CIRCUIT DIAGRAM



SPECIFICATIONS

1. RATING : DC 12V 50mA
2. TRAVEL : 0.25 ± 0.1 mm
3. CONTACT RESISTANCE 100 mΩ MAX