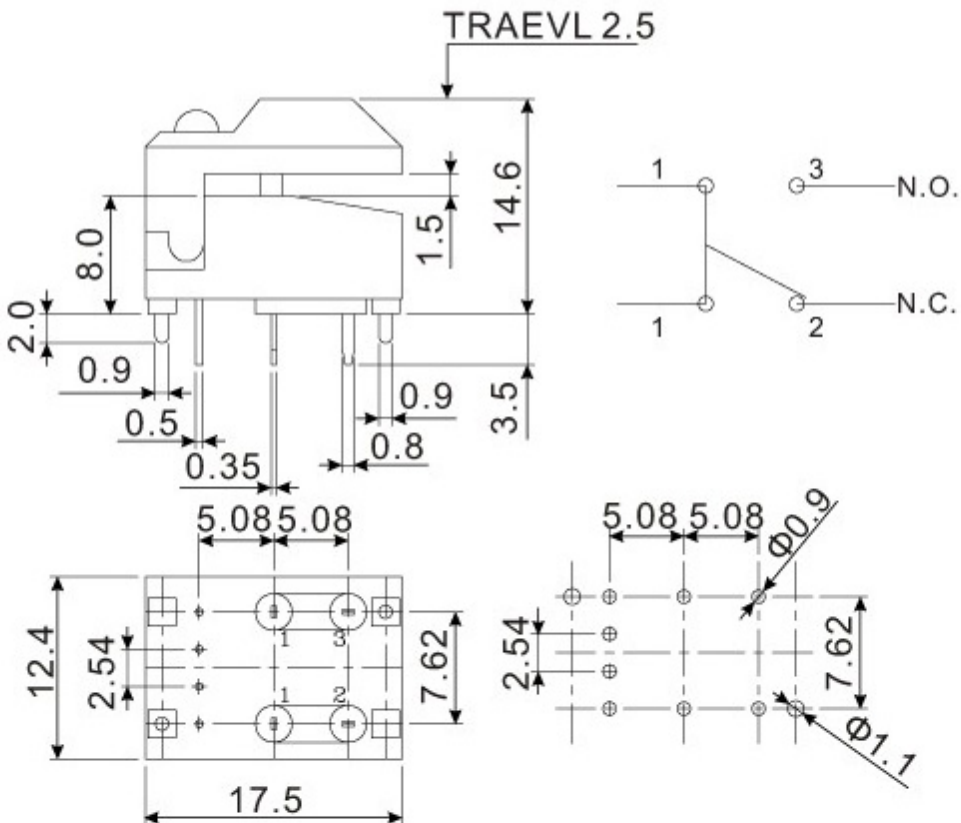
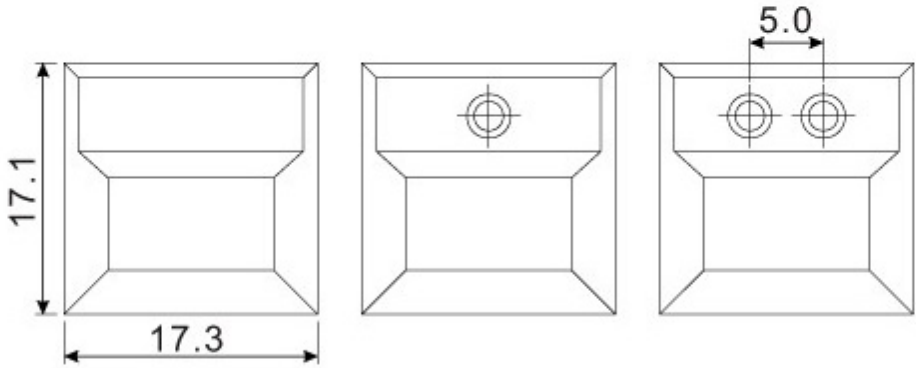
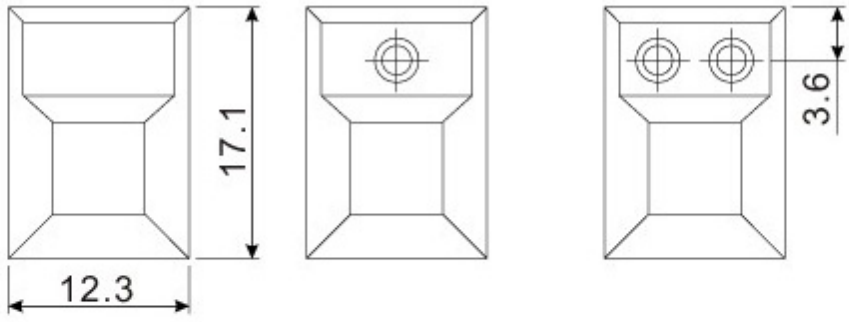


JS-786



Specifications:

1. Rating: 12mA/24VDC
2. Insulation Resistance: 100M Ω (min.)
3. Contact Resistance: 50m Ω (max.)
4. Contact: Gold plated copper alloy
5. Material: Housing: Nylon#66 , Cap: ABS
6. Operating Force: 170g \pm 50g
7. Total Travel: 2.5mm \pm 0.2mm