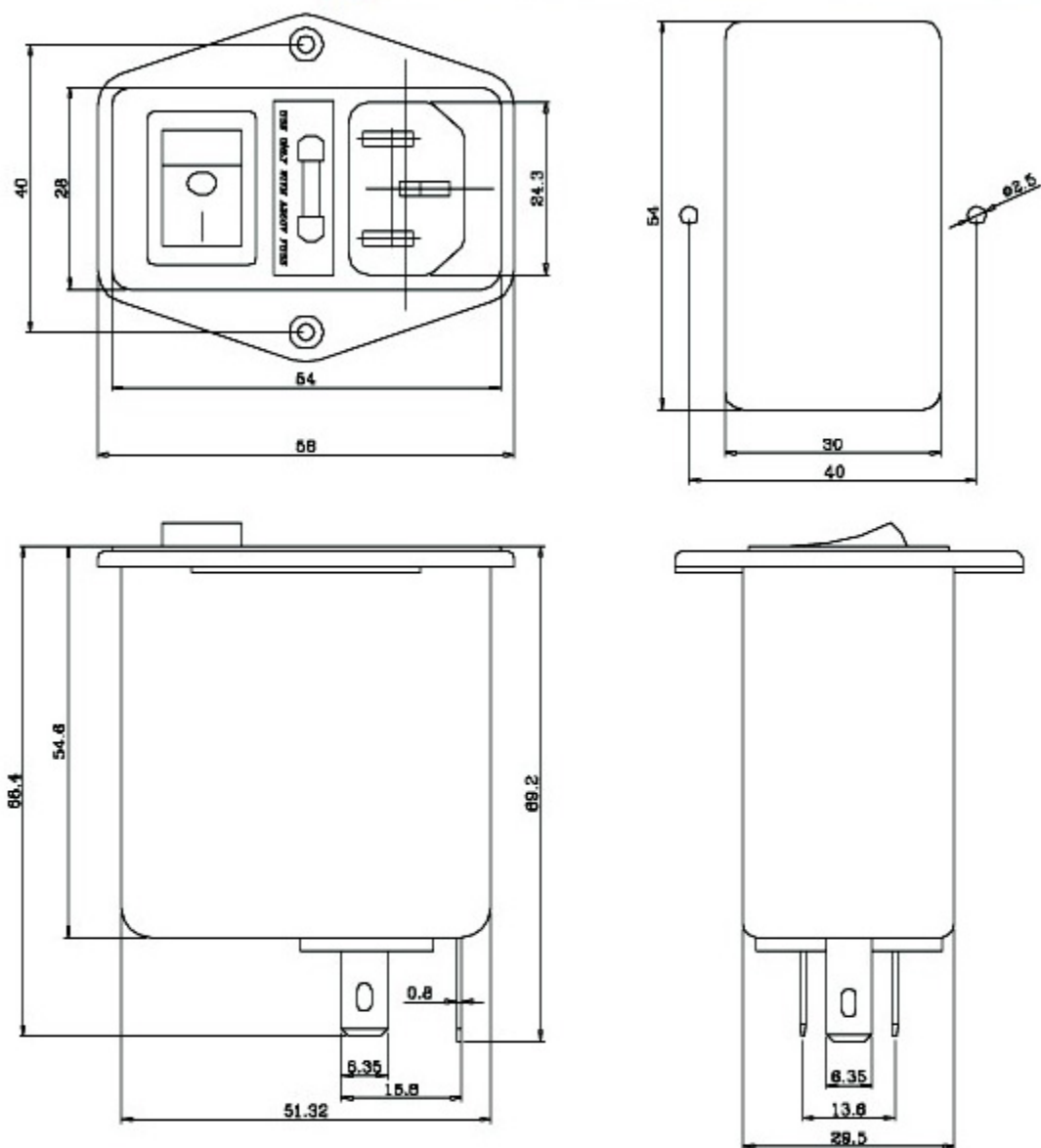


10SS2-S-Q



Specifications:

1. Rated Current: 1A , 3A , 6A , 10A

2. Rated Voltage: 115/250 VAC

3. Leakage Current: 0.5mA Max. 250VAC 50Hz

4. Hipot Rating: Line to Ground: 2250 VDC

Line to Line: 1450 VDC

5. Inlet Socket: Compatible With IEC 320

6. Safety Approval:        