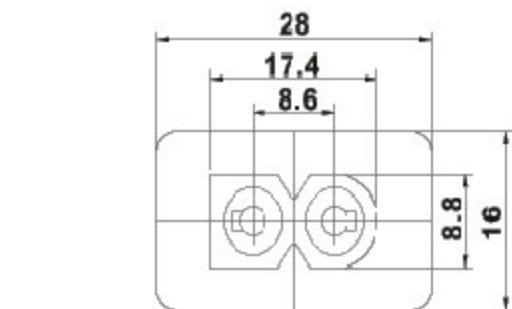
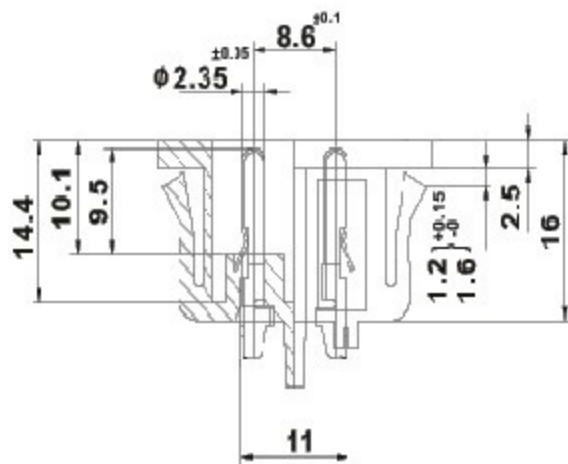
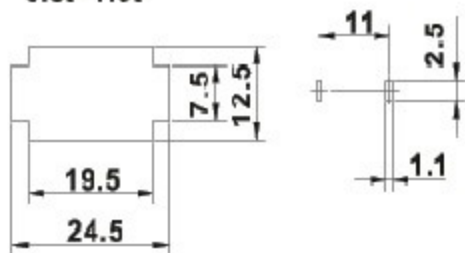


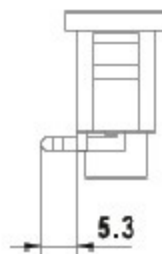
JR-201SD8



THICKNESS
0.8t~1.5t



PCB. LAYOUT



Specifications:

1. Rating : 2.5A 250VAC
2. Insulation Resistance : DC 500V 100M Ω (min.)
3. Dielectric Strength : 2000 VAC/1 Minute
4. Housing Material : P.B.T. UL 94V-0 (Screw Type)
Nylon # 66 UL 94V-2 or 94V-0 (Snap Type)

5. Safety Approval : 