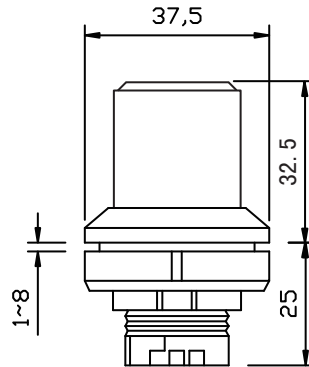


TS-30-KK/鑰匙照光選擇開關

* 本產品為本公司特有專利
(新型第M 434807 號)

可透光之鑰匙開關可搭配LED *



作動模式



Selector Head
2positions 0-I or I-II
switching angle 90°
do.but illuminated version

ON-OFF
ON-ON
2 段選擇



TS-30-KK-1R



TS-30-KK-1G



TS-30-KK-1Y



TS-30-KK-1W



TS-30-KK-1BL



TS-30-KK-1BK



TS-30-KK-2R



TS-30-KK-2G



TS-30-KK-2Y



TS-30-KK-2W



TS-30-KK-2BL



TS-30-KK-2BK

ON-OFF-ON
3 段選擇

Selector Head

3positions I-0-II or 0-I-II
switching angle 45° + 45°
do.but illuminated version

作動模式



作動模式



Selector Head(spring reset)
switching position on the left.
with spring reset to 0-position
from the right.I-0-II
switching angle 45° + 45°
do.but illuminated version

ON-OFF-ON
3 段單邊彈回



TS-30-KK-3R



TS-30-KK-3G



TS-30-KK-3Y



TS-30-KK-3W



TS-30-KK-3BL



TS-30-KK-1BK



TS-30-KK-4R



TS-30-KK-4G



TS-30-KK-4Y



TS-30-KK-4W



TS-30-KK-4BL

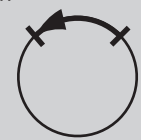


TS-30-KK-2BK

ON-OFF
ON-ON
2 段單邊彈回

Selector Head(spring reset)
with spring reset to 0-position
(on the left).0-I
switching angle 90°
do.but illuminated version

作動模式



作動模式



Selector Head(spring reset)
with spring reset to the middle
position I→0←II
switching angle 45° + 45°
do.but illuminated version

ON-OFF-ON
3 段雙邊彈回



TS-30-KK-5R



TS-30-KK-5G



TS-30-KK-5Y



TS-30-KK-5W



TS-30-KK-5BL



TS-30-KK-1BK