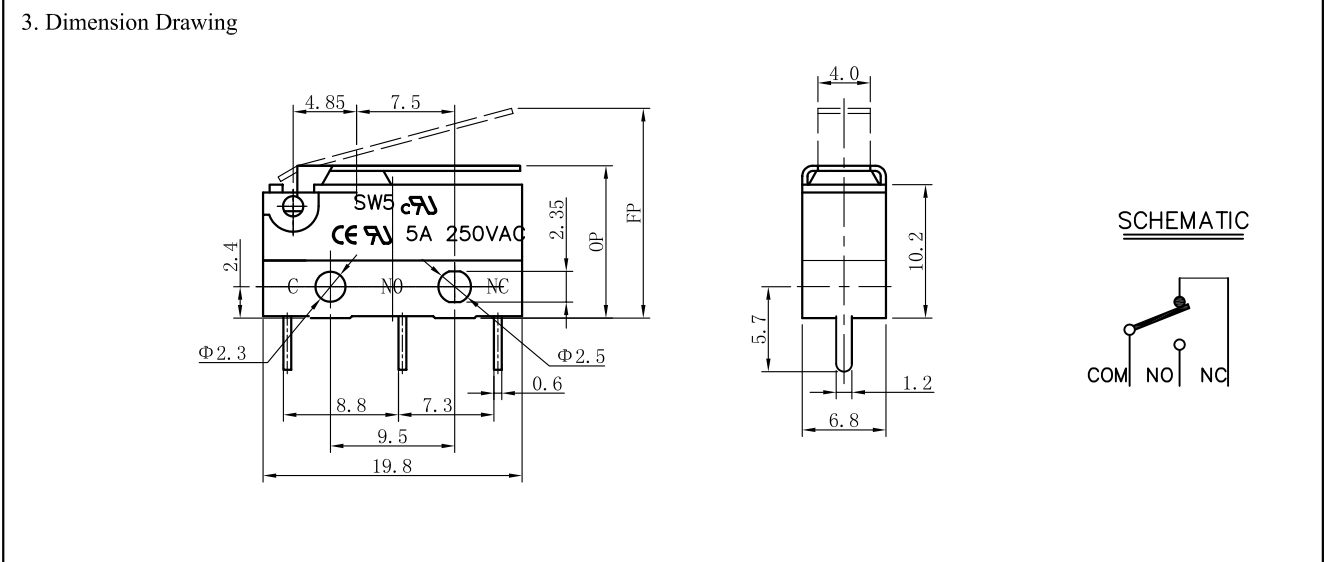


| | | | |
|---------------------------|----------------------------------|-----------------------------|--------------------|
| SWITCH TYPE | Micro Switches | MODEL NO. | SW5-01P-××-C5 |
| 1. Functional spec. | | | |
| 1.1 Rated Voltage | 250VAC | 1.6 Free Position | 15.0±1.0mm |
| 1.2 Rated Current | 5A | 1.7 Operating Position | 12.0±1.0mm |
| 1.3 Contact Resistance | ≤50mΩ (Initial value) | 1.8 Position Travel | |
| 1.4 Operating Force | (××) gf | 1.9 Return Force | |
| 1.5 Bounce Time | | 1.10 | |
| 2. Reliable Rating | | | |
| 2.1 Mechanical Life | 100,000 CYCLES | 2.5 Hand Soldering Temper | 380°C Max 3 Second |
| 2.2 Electrical Life | 10,000 CYCLES | 2.6 Operating Temper | -15°C - +70°C |
| 2.3 Insulation Resistance | ≥100MΩ DC500V (Initial value) | 2.7 Shipping/Storage Temper | -25°C - +80°C |
| 2.4 Withstand Voltage | AC1000V 1 minute (Initial value) | 2.8 Ambient Humidity Used | <85%RH |

| | | |
|--|---|--|
| 3.1 protection against ingress of dust ≤Φ1.0mm (IP5X) | The switches are placed in a position of normal use inside the test chamber. The test is carried out according to the second enclosure of IEC60529-1989. The test shall be continued for a period of 8h. After testing, the switches are taken out of the chamber and left at 25±10°C conditions, Load Rating: 5A 250VAC, test the temperature rise of the switches. | After test: 1. Operating is normal; 2. The temperature rise shall not exceed 50K; 3. Between terminals, terminal and surface of the crust, dielectric withstand in voltage ≥1000V |
| 3.2 protection against ingress of water (IPX1) | The switches are placed in an oven which the temperature is 70±2°C for 240 hours. Then the switches are taken out of the oven immediately and left at 25±10°C conditions for 16 hours. After that, testing protection against ingress of water. During the testing, the temperature between the water and the samples shall not exceed 5K, and the switches have no electric current. | After test: 1. The body of the switch and the airproof cap have no transmutation, dilapidation, induration; 2. The switch shall withstand the dielectric strength ≥1000V 3. There is no trace of water on insulation which could result in a reduction of creepage distances and clearances below the values specified. |
| 3.3 reference standards and conditions | IEC60529-1989 IEC61058-1:1996 Environment condition: temperature rang 15°C-35°C. | |



| | | | |
|----------------|--------------------------------|-----------|----------------|
| Revision | Description | Date | Revisor |
| Drawing No. | C/0 | Tolerance | ±0.2 |
| Drawing Model. | SPECIFICATION OF STANDARD TYPE | Unit | mm |
| Prepared | Reviewed | Approved | Effective date |