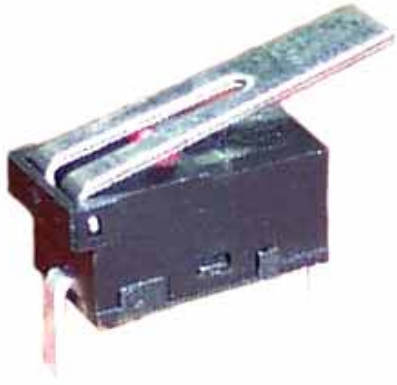
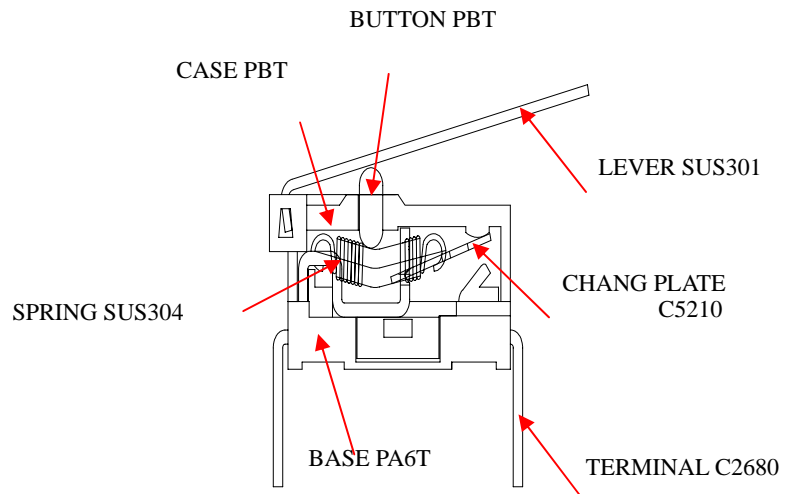


# DS130 Series MICRO SWITCH

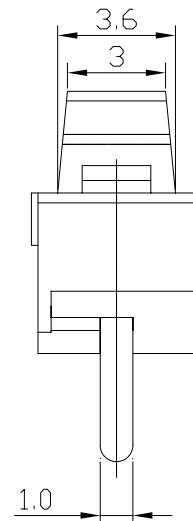
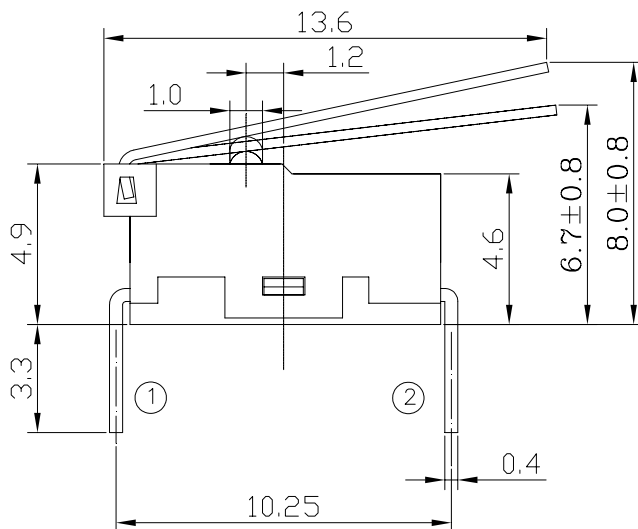
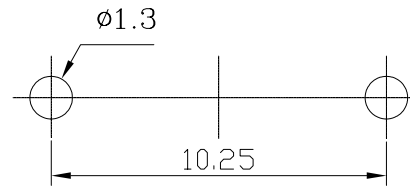
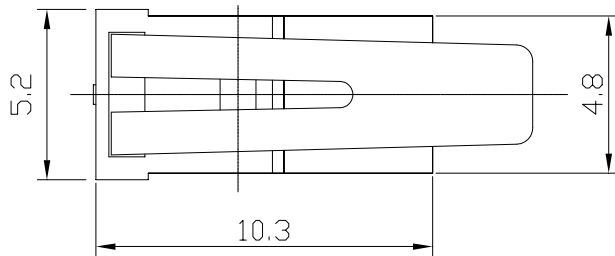
## MATERIALS



**DS130-01P**



## DIMENSION DRAWING



ACTUATOR CHART

<p>01</p>	<p>02</p>	<p>03</p>
<p>04</p>	<p>05</p>	<p>06</p>
<p>07</p>	<p>08</p>	<p>09</p>
<p>10</p>	<p>11</p>	<p>12</p>

Remark: 1. The thickness of the lever is 0.3mm except that be remarked "t=0.4mm"  
 2. The shape of the levers can be machined what the customers needed