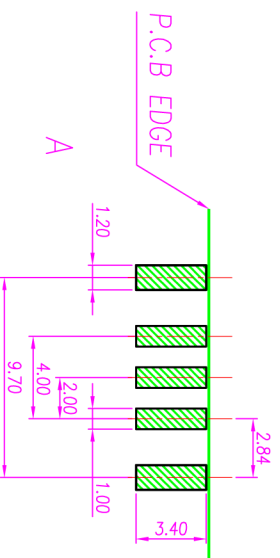
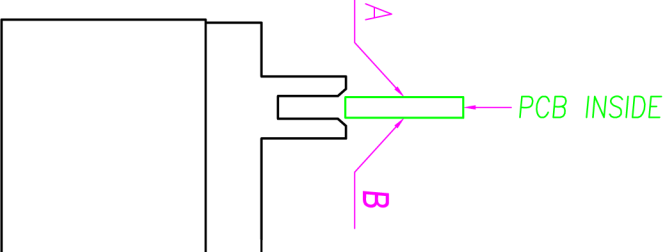
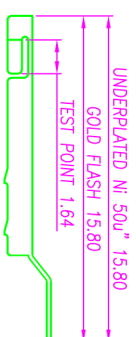
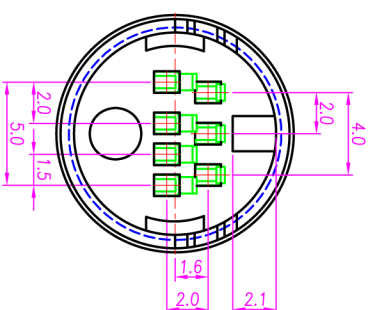
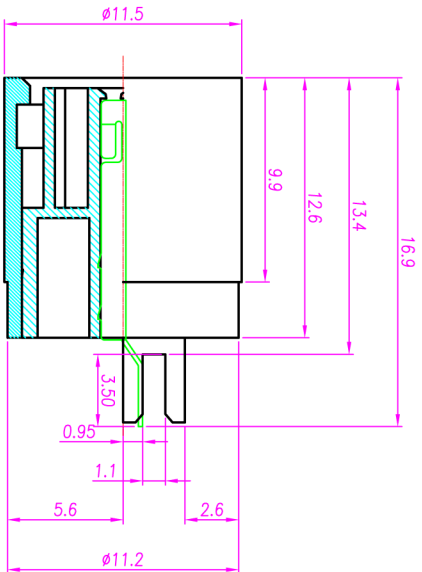
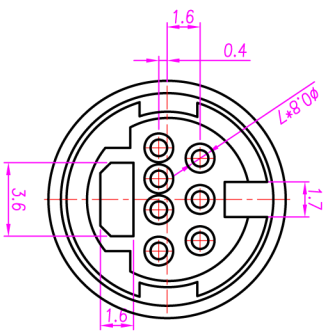
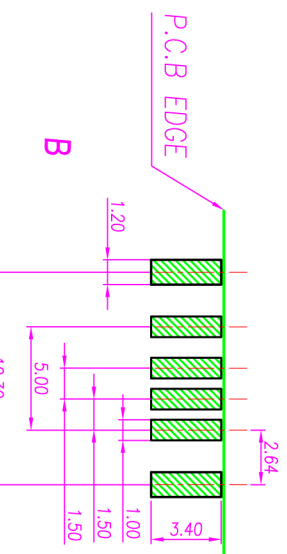


CUSTOMER DRAWING

REV.	DESCRIPTION	APPLV. BY	DATE	ECN NO.
A	ADD QC plat	Fido Wang	02/12/08*	
B	ADD SALES DRAWING	Fido Wang	22/12/08*	ECN-08016
C	CHANGE DIM & LAYOUT	Fido Wang	24/03/09*	ECN-09067



RECOMMENDED PCB BOARD LAYOUT FRONT SIDE



RECOMMENDED PCB BOARD LAYOUT REVERSE SIDE

NOTE:

- 1.MATERIAL:
- 1-1.SHELL: BRASS
- 1-2.PIN: PHOSPHOR BRONZE
- 1-3.HOUSING: PBT
- 2.PLATING:
- 2-1.SHELL: NICKEL 80u"
- 2-2.PIN: GOLD FLASH ON CONTACT AREA
- UNDERPLATED NICKEL 50u" MIN OVER ALL.

DRAW	Jen Xie	APPLV		UNIT	mm	TOLERANCE	.x .xx .xxx .xxxx ANGULA	±0.20 ±0.10 ±0.05 ±0.03 ±1°		
CHECK				SCALE	1:1					
Minidin 7(F) 變壓器式										
			MD-07F2-03	DWG NO.	QC3038	SHEET		VERSION		
						C				