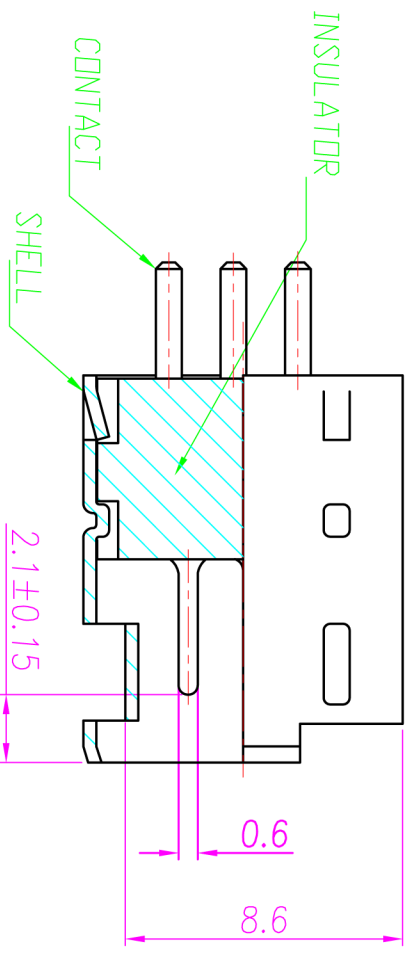
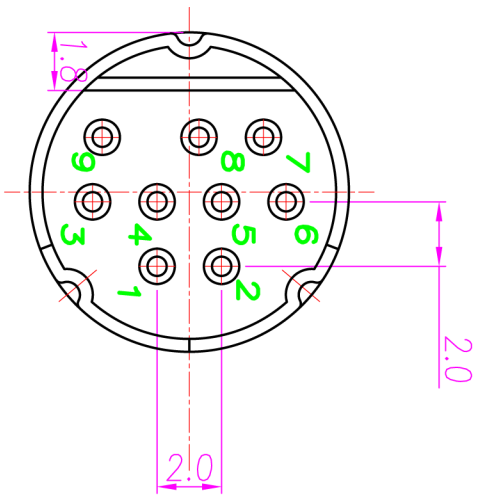
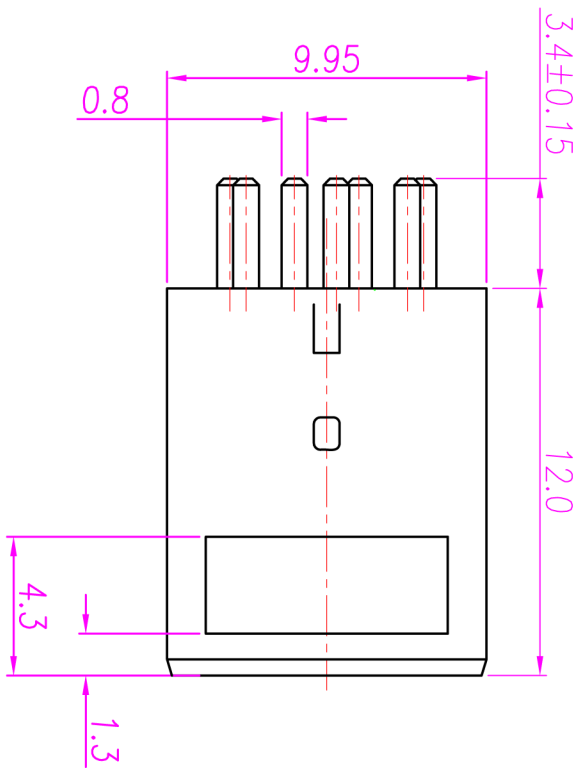


CUSTOMER DRAWING

REV.	DESCRIPTION	APPL. BY	DATE	ECN NDL
A	RELEASE	Fido Veng	26/02/09*	ECN09013
B				
C				



- NOTE:**
1. ELECTRICAL SPECIFICATION :
 - 1-1. RATED CURRENT : 2A
 - 1-2. VOLTAGE : 250V
 2. MATERIAL:
 - 2-1. HOUSING : PBT UL94V-0 ; COLOR : BLACK
 - 2-2. CONTACT : COPPER ALLOY
 - 2-3. SHELL : COPPER ALLOY
 3. PLATING:
 - 3-1. CONTACT : 60 MICRO INCHES MIN. Silver PLATING OVER NICKEL
 - 3-2. SHELL : NICKEL PLATED 60u" ~ 100u" OVER ALL
 4. ENVIRONMENTAL :
 - 4-1. OPERATION TEMPERATURE : -20 C~85C

DRAW	APPL	UNIT	TOLERANCE	SCALE	SHEET
		MM	±0.20 ±0.10 ±0.05 ±0.03 ±1*	1:1	1
CHECK			X XX XXX XXXX ANGULA		VERSION
					A
TITLE		Part No.		SHEET	
MiniDin 9(M)		MD-09M2-02		QC1855	