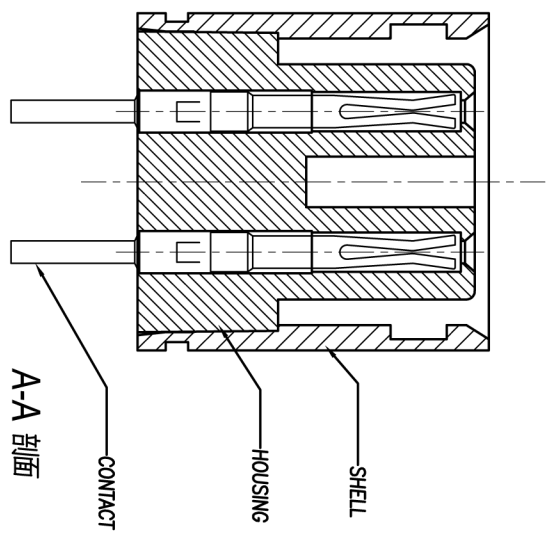
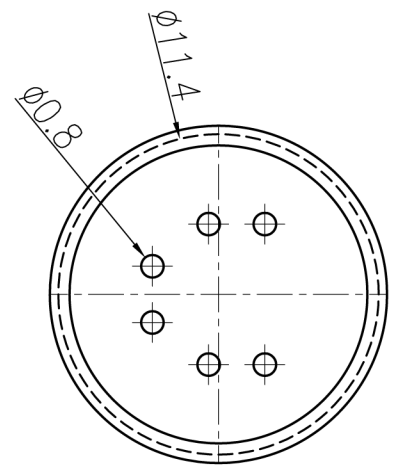
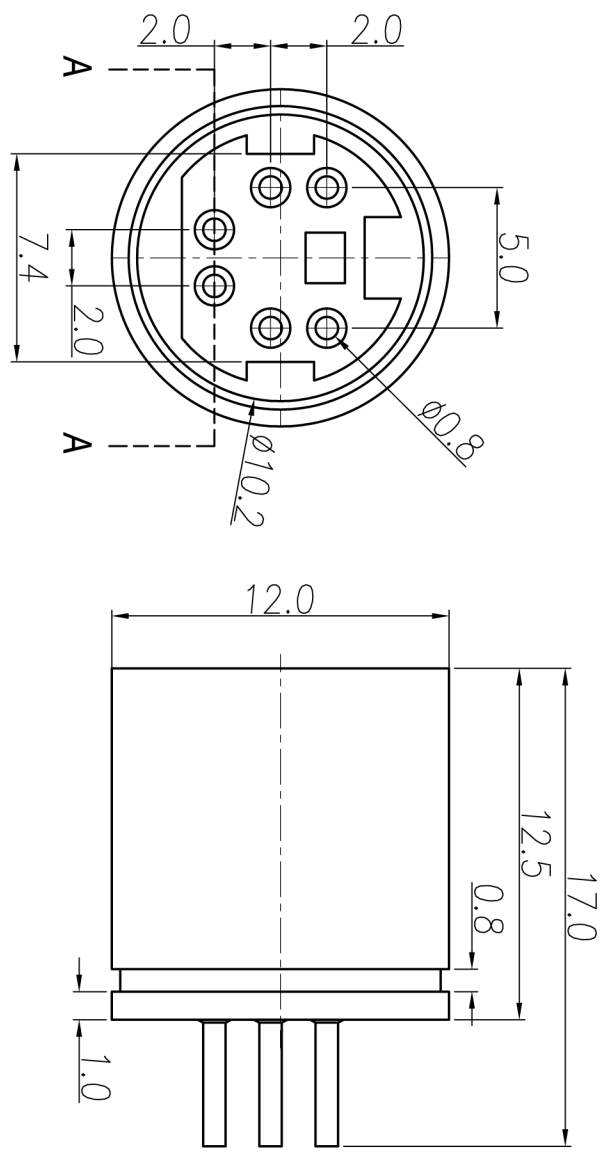


CUSTOMER DRAWING

REV.	DESCRIPTION	APPROVED BY	DATE	ECN NO.
A	RELEASE	Fido Veng	22/12/08*	
B				
C				



1. MATERIAL :
- 1-1. HOUSING : PBT+15%GF ; COLOR : BLACK
 - 1-2. CONTACT : PHOSPHOR BRONZE
 - 1-3. SHELL: BRASS
2. FINISH :
- 2-1. CONTACT : GOLD FLASH
 - 2-2. SHELL : NICKEL PLATED 100u" OVER ALL

DRAWN		APP'D		TOLERANCE		SHEET	
CHK'D				UNIT	MM	±0.20	1
				SCALE	1:1	±0.10	
						±0.05	
						±0.03	
						ANGULA ±1°	
TITLE				POWER DIN 6(F)LOCK TYPE			
PART NO.				PD-06F1-01			
DWG NO.				QC1695A			
VERSION				A			