

CUSTOMER DRAWING

REV.	DESCRIPTION	APPL BY	DATE	ECN NO.
A	RELEASE	FDO WENG	30/03/09*	S-09018
B	新增銅殼	FDO WENG	28/04/09*	ECN09074
C				

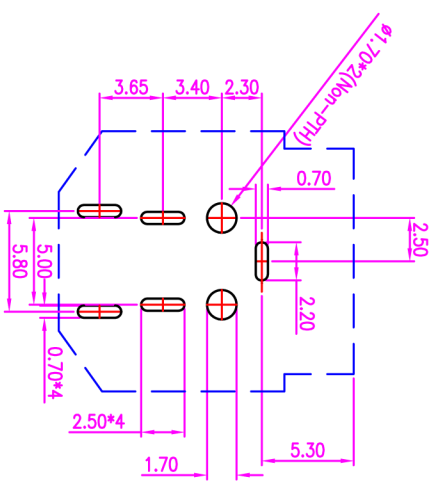
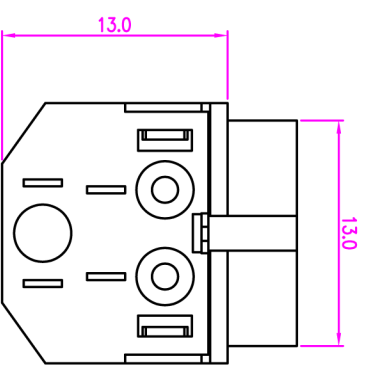
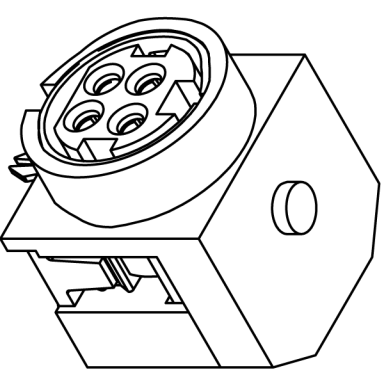
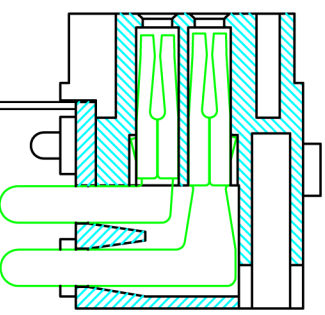
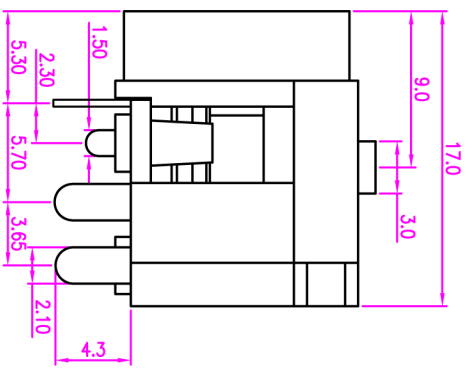
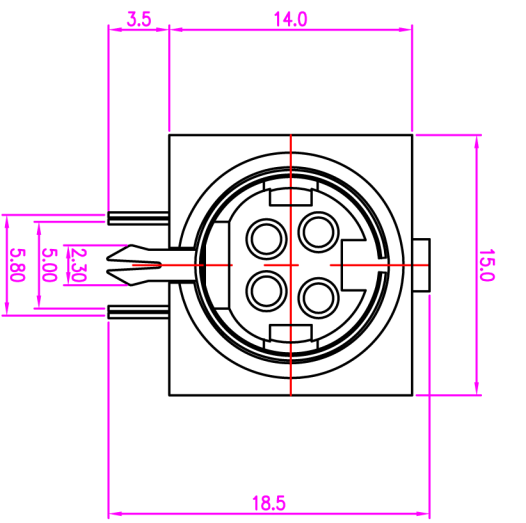


TABLE A

P/N	DESCRIPTION	MATERIAL
PD-04F2-13	PowerDin 4(F) 插頭DIP插殼	LCP
PD-04F2-08	PowerDin 4(F) 插頭DIP插殼	PBT
P/N	DESCRIPTION	MATERIAL

- MATERIAL :
 - HOUSING : SEE TABLE A
 - CONTACT : PHOSPHOR BRONZE
 - SHELL : BRASS
- FINISH :
 - CONTACT : SILVER PLATING OVER NICKEL
 - SHELL : NICKEL PLATED OVER ALL
- ELECTRICAL SPECIFICATION :
 - RATED CURRENT : 7.5A/DC MAX
 - RATED VOLTAGE : 20V/DC MAX
- ENVIRONMENTAL :
 - OPERATION TEMPERATURE : -20 °C~85°C

DRAW	繪圖者 Emily Suen	APPL	Emily Suen	UNIT	mm	TOLERANCE	* ±0.25 ** ±0.15 *** ±0.05 **** ±0.03 ANGLE ±1°		TITLE	PowerDin 4(F) 插頭DIP插殼	SHEET
CHECK	Emily Suen	SCALE	1:1	SCALE	1:1	PART NO.			SEE TABLE A	DWG NO.	QC1158