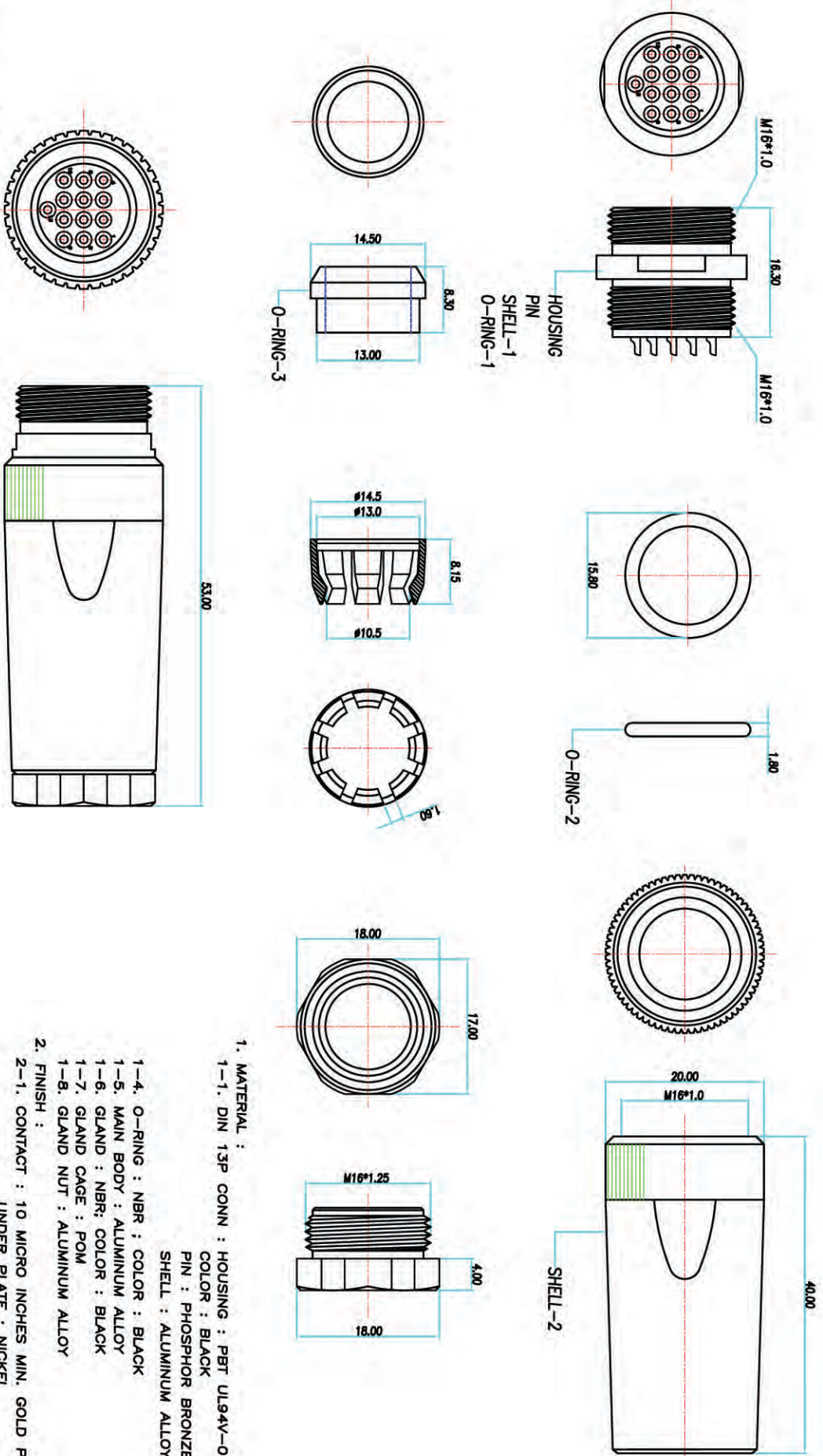


CUSTOMER DRAWING

REV.	DESCRIPTION	APPROVED BY	DATE	ECN N.D.
A	RELEASE	Fido Veng	24/12/09*	
B				
C				



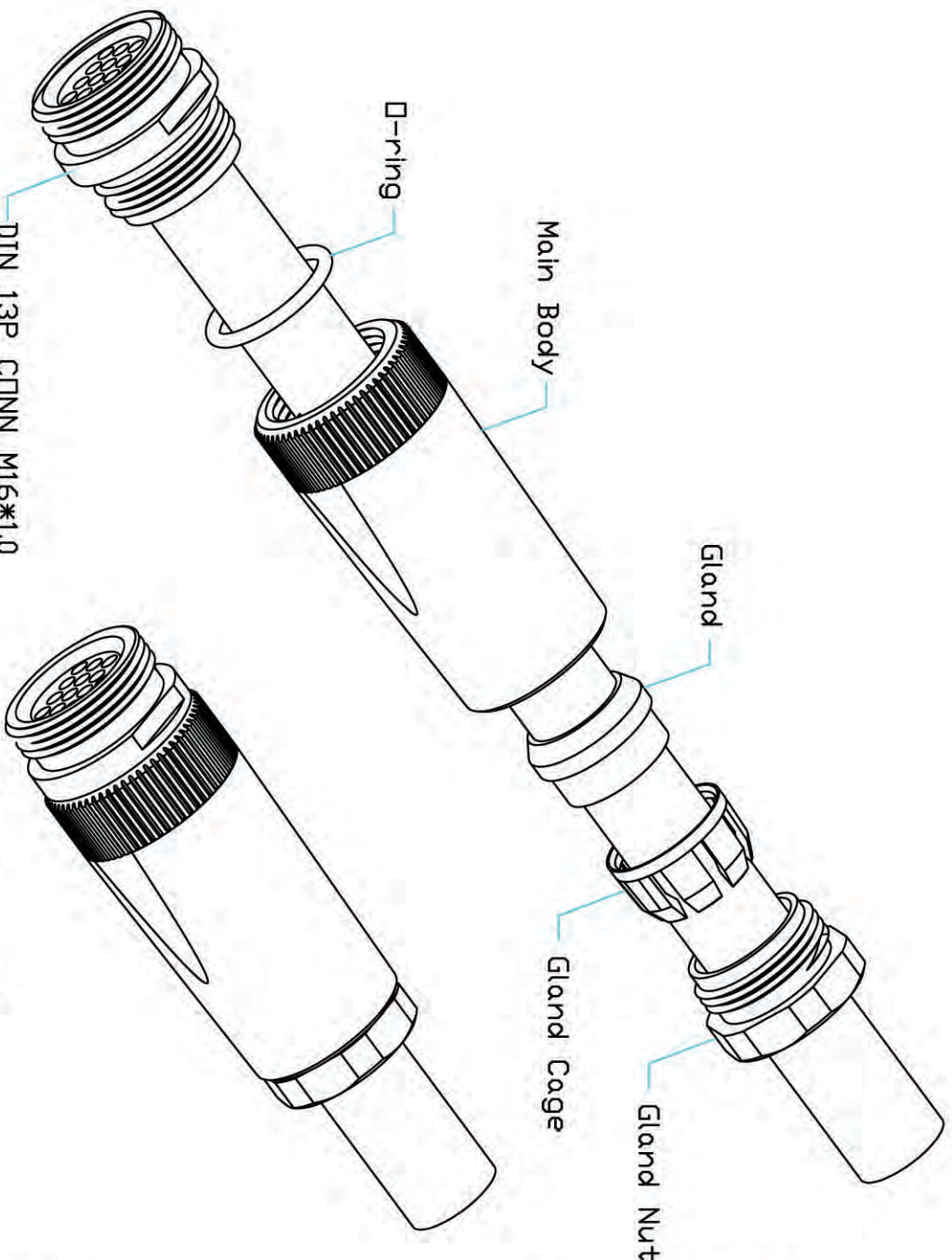
Assembly

- MATERIAL :
 - 1-1. DIN 13P CONN : HOUSING : PBT UL94V-0
 - COLOR : BLACK
 - PIN : PHOSPHOR BRONZE
 - SHELL : ALUMINUM ALLOY
- FINISH :
 - 2-1. CONTACT : 10 MICRO INCHES MIN. GOLD PLATED
 - UNDER PLATE : NICKEL
 - 2-2. MAIN BODY : NICKEL PLATED
 - 2-3. GLAND NUT : NICKEL PLATED
 - 2-4. SHELL : NICKEL PLATED

DRAWN	YEH	APP'D		UNIT	MM	TOLERANCE			TITLE	DIM 13P(F) 连接器 (外径 10.8)					
CHK'D				SCALE	1:1	x .xx .xxx .xxxx ANGULA 31°		PART NO.	DI-13F2-08	DWG NO.	QC4560	SHEET	2	VERSION	A

CUSTOMER DRAWING

REV.	DESCRIPTION	APPROVED BY	DATE	ECN NO.
A	RELEASE	Fido Veng	24/12/09*	
B				
C				



Assembly

TABLE A

P/N	DESCRIPTION	MATERIAL
	英維賽OD14.5 ID10.5	POM
	英維賽OD14.5 ID9.2	POM
	英維賽OD13.5 ID8.2	POM
	英維賽OD13.5 ID6.2	POM
	英維賽OD13.5 ID5.2	POM

TABLE B

P/N	DESCRIPTION	MATERIAL
	維膠賽OD14.5 ID10.8	NBR
	維膠賽OD14.5 ID9.5	NBR
	維膠賽OD13.5 ID8.5	NBR
	維膠賽OD13.5 ID6.5	NBR
	維膠賽OD13.5 ID5.5	NBR

1. MATERIAL :

- 1-1. DIN 13P CONN : HOUSING : PBT UL94V-0
- COLOR : BLACK
- PIN : PHOSPHOR BRONZE
- SHELL : ALUMINIUM ALLOY

2. FINISH :

- 2-1. CONTACT : 10 MICRO INCHES MIN. GOLD PLATED
- UNDER PLATE : NICKEL
- 2-2. MAIN BODY : NICKEL PLATED
- 2-3. GLAND NUT : NICKEL PLATED
- 2-4. SHELL : NICKEL PLATED

DRAWN	YEH	APP'D	TOLERANCE	
CHK'D			UNIT	MM
			SCALE	1:1
			x .0120 .xx 0.010 .xxx 0.005 .xxxx 0.003 ANGULA 24°	



TITLE	DIM 13P(F) 維膠賽式 (維徑 10.8)			SHEET
PART NO.	DI-13F2-08	DWG NO.	QC4560	2
				VERSION
				A