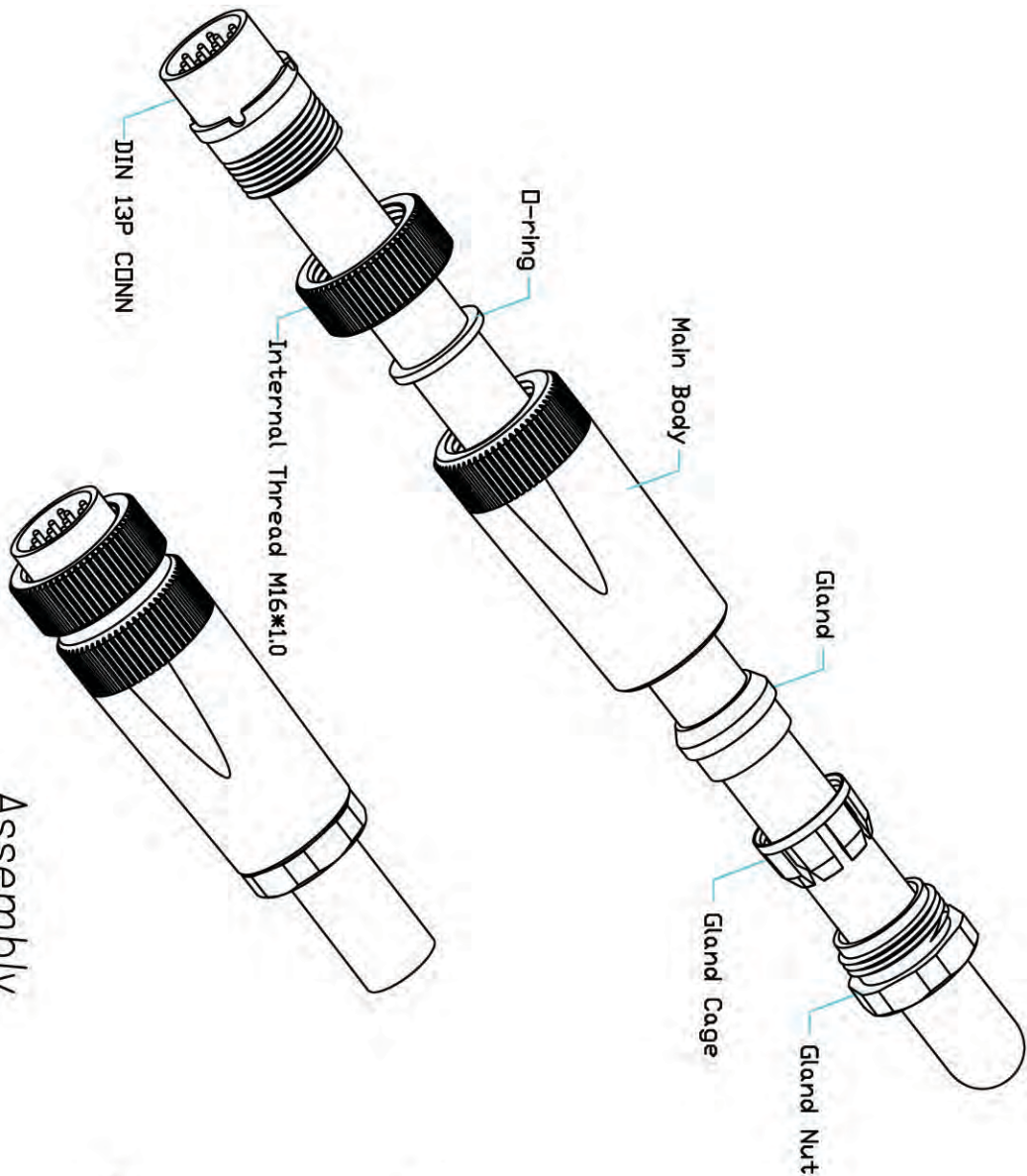


CUSTOMER DRAWING

REV.	DESCRIPTION	APPROVED BY	DATE	ECN NO.
A	RELEASE	Fido Veng	24/12/09*	
B				
C				



Assembly

TABLE A

GLAND CAGE	規格#OD14.5 ID10.5	POM
GLAND CAGE	規格#OD14.5 ID9.2	POM
GLAND CAGE	規格#OD13.5 ID8.2	POM
GLAND CAGE	規格#OD13.5 ID6.2	POM
GLAND CAGE	規格#OD13.5 ID5.2	POM
P/N	DESCRIPTION	MATERIAL

TABLE B

GLAND	規格#OD14.5 ID10.8	NBR
GLAND	規格#OD14.5 ID9.5	NBR
GLAND	規格#OD13.5 ID8.5	NBR
GLAND	規格#OD13.5 ID6.5	NBR
GLAND	規格#OD13.5 ID5.5	NBR
P/N	DESCRIPTION	MATERIAL

- MATERIAL :
 - 1-1. DIN 13P CONN : HOUSING : PBT UL94V-0
COLOR : BLACK
Pin : BRASS
 - 1-3. INTERNAL THREAD : ALUMINUM ALLOY
Shell : ALUMINUM ALLOY
 - 1-4. O-RING : NBR ; COLOR : BLACK
 - 1-5. MAIN BODY : ALUMINUM ALLOY
 - 1-6. GLAND : NBR; COLOR : BLACK
 - 1-7. GLAND CAGE : POM
 - 1-8. GLAND NUT : ALUMINUM ALLOY
- FINISH :
 - 2-1. CONTACT : 10 MICRO INCHES MIN. GOLD PLATED
UNDER PLATE : NICKEL
 - 2-2. INTERNAL THREAD : NICKEL PLATED
 - 2-3. MAIN BODY : NICKEL PLATED
 - 2-4. GLAND NUT : NICKEL PLATED
 - 2-5. SHELL : NICKEL PLATED

DRAWN	YEH	APP'D		UNIT	MM	TOLERANCE	
CHK'D				SCALE	1:1	x .xx .xxx .xxxx ANGULA	±0.20 ±0.10 ±0.05 ±0.03 ±1°
TITLE		DIM 13P(M) 總式(總徑10.8)		PART NO.		DI-13M2-07	
Dwg No.		QC4568		VERSION		A	