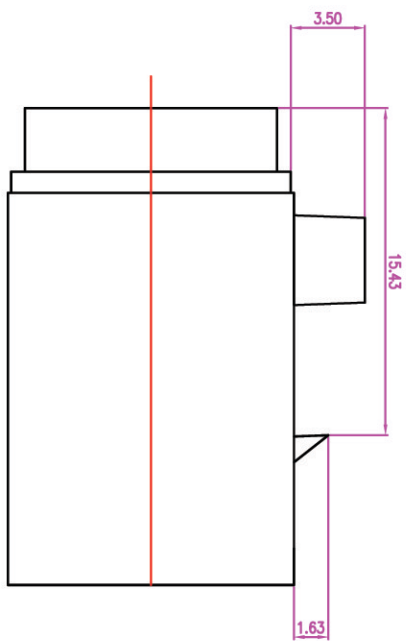
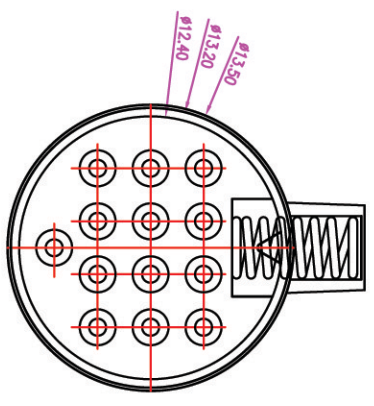
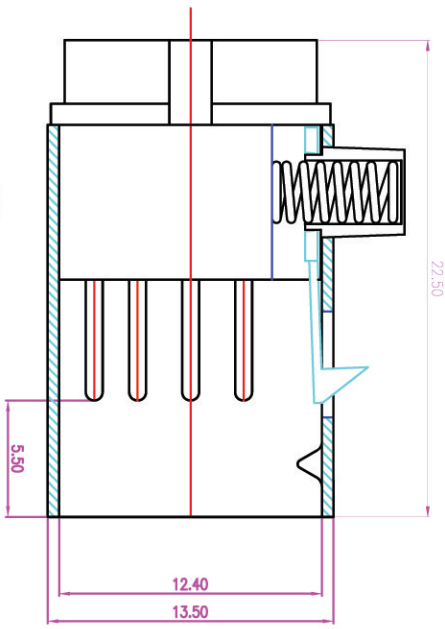
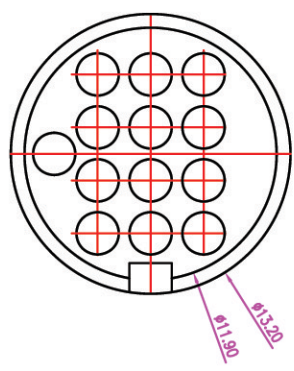
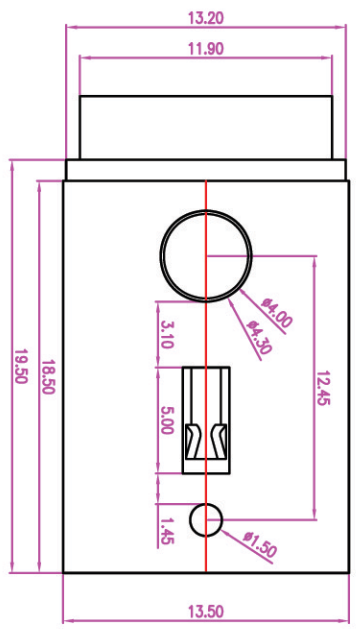


| REV. | DESCRIPTION | CHANGE BY | APPVL. BY | DATE |
|------|-------------|-----------|-----------|------|
| A    |             |           |           |      |
| B    |             |           |           |      |
| C    |             |           |           |      |



NOTE:  
 1.ELECTRICAL PROPERTIES:  
 1-1-RATING:100V AC MAX OR 12V DC 2A MAX.  
 1-2-CONTACT RESISTANCE:50m Ohm MAX  
 1-3-INSULATION RESISTANCE:50M Ohm MIN AT 250V DC.  
 1-4-DIELECTRIC WITHSTANDING VOLTAGE:AC 250V AC AT 1 MINUTE.  
 2.MATERIAL:  
 2-1-IPN:BRASS.  
 2-2-INSULATION: PBT-300GF UL 94V-0.  
 2-3-SHELL,PUSH BOTTOM:BRASS.  
 2-4-LATCH,SPRING:STAINLESS STEEL #304.  
 3.PLATING:  
 3-1-IPN: GOLD PLATED 10u" OVER ALL.  
 UNDERPLATED NICKEL 80u" MIN OVER ALL.  
 3-2-SHELL,PUSH BOTTOM:NICKEL PLATED 60u" MIN OVER ALL.

| BOM       | 数量 | 零件 |
|-----------|----|----|
| 8 CONTACT | 1  |    |
| 1 SHELL   | 1  |    |
| 1 HOUSING | 1  |    |

| 繪圖    | 日期       | 單位 | mm | 一般公差  | 比例  | 1:1 | APPL. BY | DATE | CHANGE BY | APPVL. BY | DATE |
|-------|----------|----|----|-------|-----|-----|----------|------|-----------|-----------|------|
| Yeh   | 21/09/05 | mm | mm | ±0.25 | 1:1 | 1:1 | Yeh      |      |           |           |      |
| FRANK | A.       | mm | mm | ±0.10 | 1:1 | 1:1 | FRANK    |      |           |           |      |

| 品名            | 料號         | 圖號     | QC     | SIZE |
|---------------|------------|--------|--------|------|
| DIN 13(M)LOCK | D1-13M2-04 | QC1908 | QC1908 | A4   |