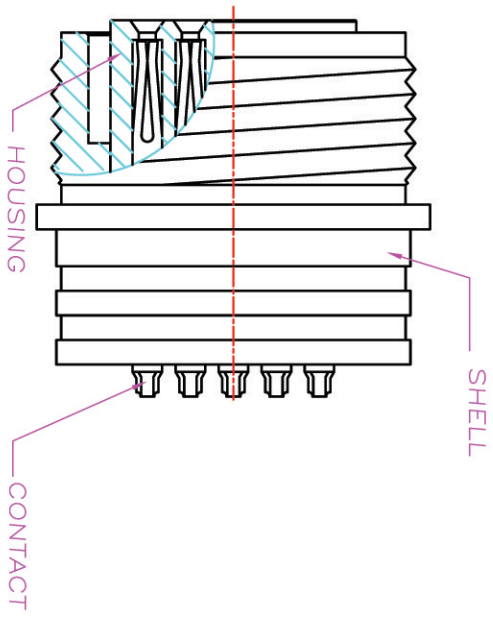
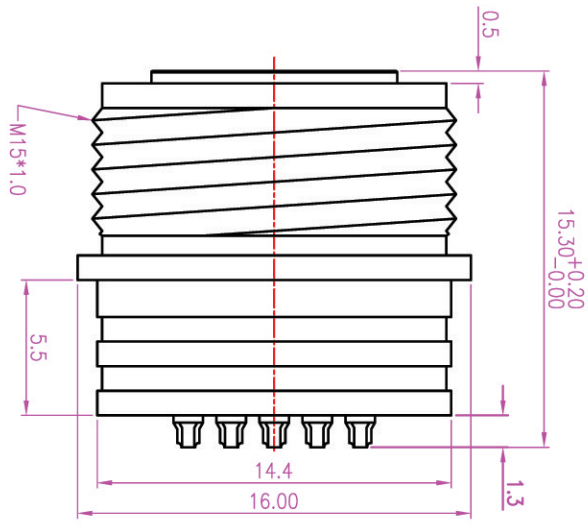
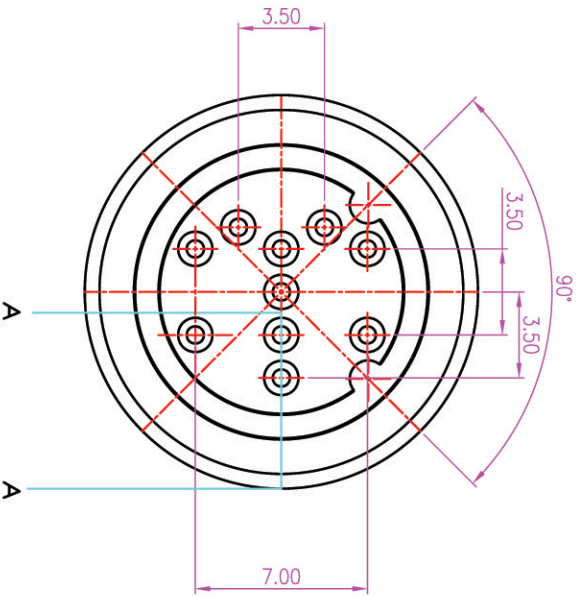


CUSTOMER DRAWING

REV.	DESCRIPTION	APPROVED BY	DATE	ECN NO.
A	RELEASE	Fido Veng	24/02/09*	
B				
C				



SECTION AA

NOTE

- MATERIAL :**
 - HOUSING : PBT UL94V-0 ; COLOR : BLACK
 - CONTACT : PHOSPHOR BRONZE
 - SHELL : BRASS
- FINISH :**
 - CONTACT A : 30 MICRO INCHES MIN. SILVER PLATED UNDER PLATE : NICKEL
 - SHELL : NICKEL PLATED 60u" ~ 100u" OVER ALL
- ELECTRICAL SPECIFICATION :**
 - Rated current : 2A
 - Voltage : 30V
 - Water proof: IPX7
- Environmental :**
 - Operation Temperature : -20 C~85C

DRAWN	HUK	APP'D	UNIT	mm	TOLERANCE		TITLE	WP M15 10PIN(F)	SHEET
CHK'D			SCALE	1:1	x ±0.20 xx ±0.10 xxx ±0.05 xxxxx ±0.03 ANGULA 31°		PART NO.	WP-10F2-02	VERSION
							DWG NO.	QC3860	A