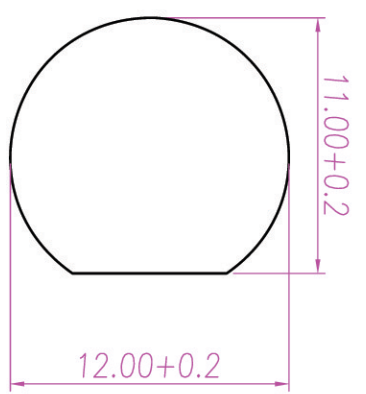
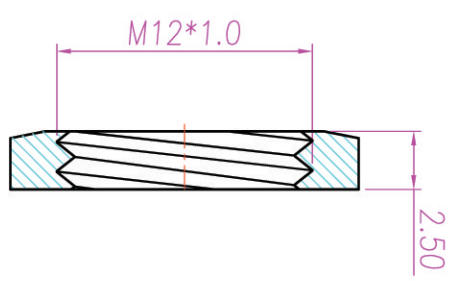
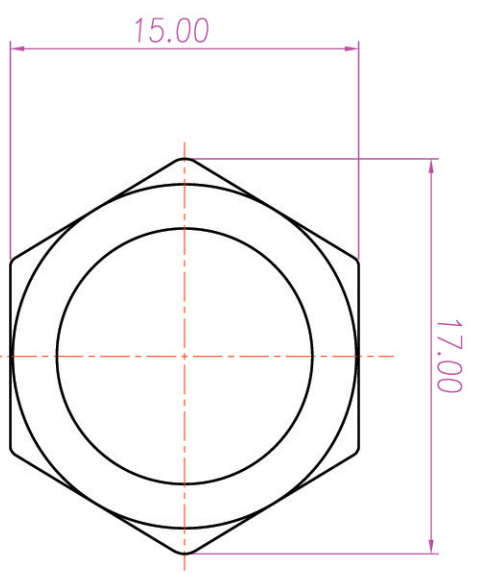
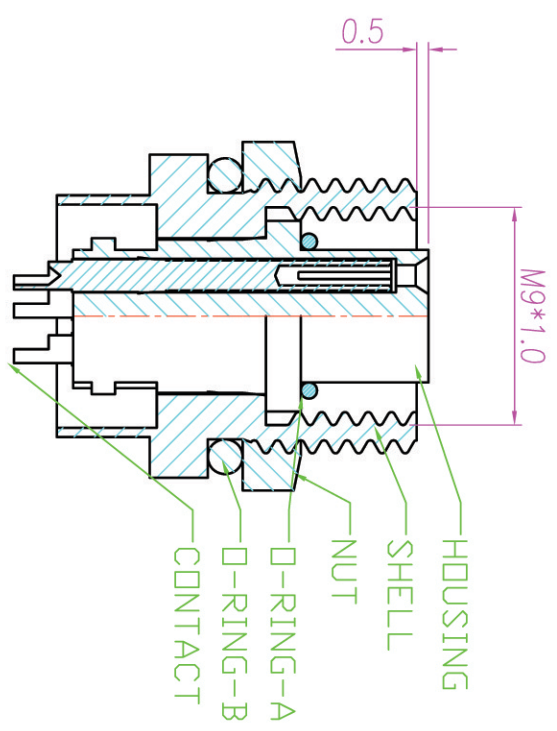
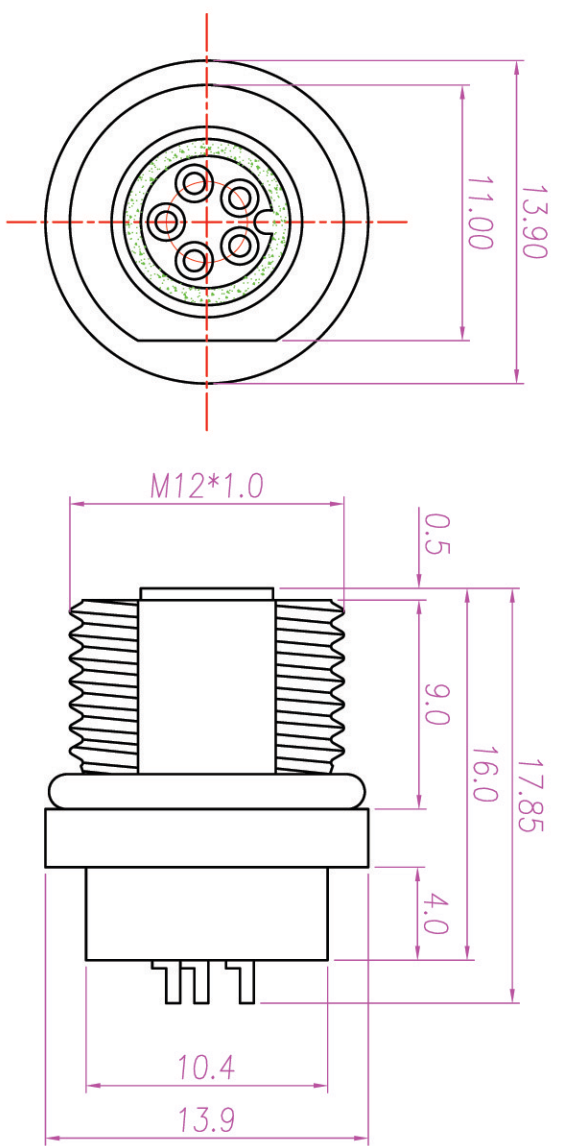


CUSTOMER DRAWING

REV.	DESCRIPTION	APPROVED BY	DATE	ECN NO.
A	RELEASE	Fido Veng	26/05/09*	
B				
C				



- MATERIAL :**
 - HOUSING : PBT UL94V-0 ; COLOR : BLACK
 - CONTACT : BRASS
 - O-RING A : NBR; COLOR : BLACK
 - O-RING B : EPDM ; COLOR : BLACK
 - NUT : BRASS
- FINISH :**
 - CONTACT : 10 MICRO INCHES MIN. GOLD PLATED UNDER PLATE : NICKEL
 - NUT : NICKEL PLATED 60u" ~ 100u" OVER ALL
 - SHELL : NICKEL PLATED 60u" ~ 100u" OVER ALL
- ELECTRICAL SPECIFICATION :**
 - Rated current : 5A
 - Voltage : 125V
 - Water proof: IPX7
- Environmental :**
 - Operation Temperature : -20 C~85c

NUT

PANEL CUT-OUT

DRAWN	KU	APP'D	UNIT	MM	TOLERANCE	SCALE	1:1	ANGULA	31°	PART NO.	WP-05F2-32	DWG NO.	QC3668	VERSION	A
CHK'D					x x x x x	±0.25 ±0.20 ±0.15 ±0.10 ±0.03				TITLE	M9-5PIN(F)SWR				